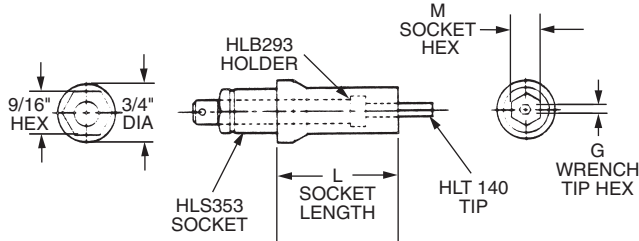


**HLS352A EXTENDED SOCKET ASSY.**



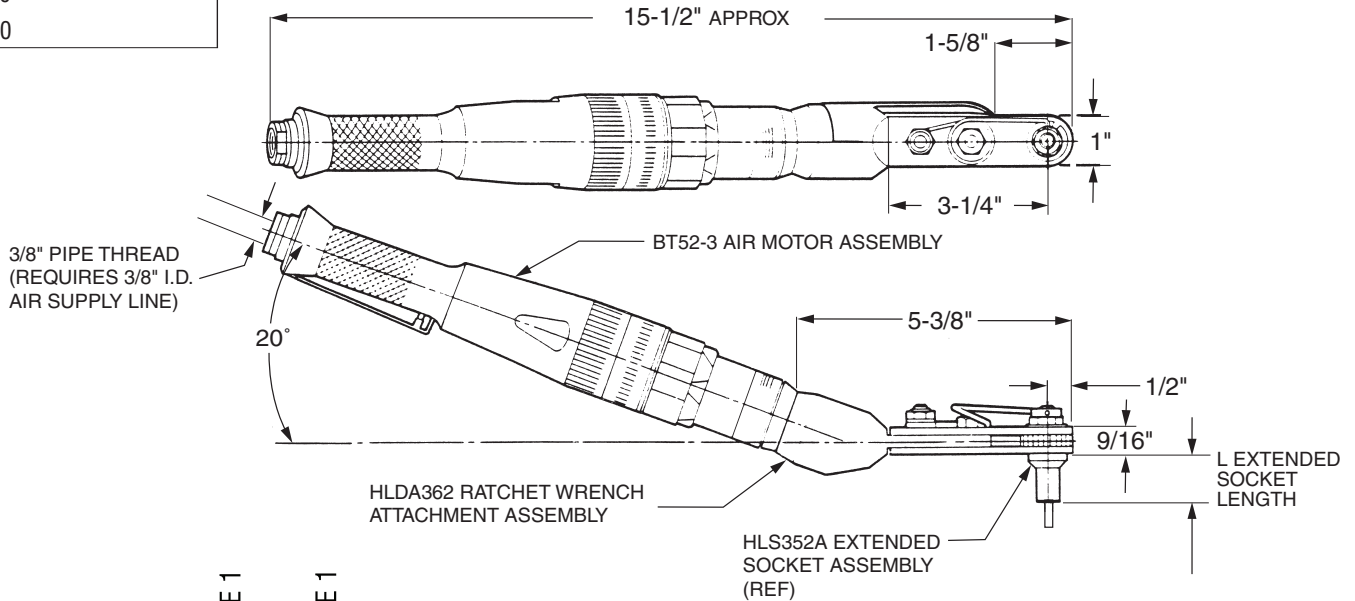
**INSTALLATION TOOLING**

**HLA3522**

**Large 20° Offset Ratchet Wrench  
Tool Assembly  
with Extended Socket  
and Super-Key™ (T-Series)**

**TABLE 2 - SOCKET LENGTH**

A = 0.50	E = 0.75
B = 1.00	F = 1.75
C = 1.50	X = 4.00
D = 2.00	



DRIVER BASIC PART NO.

"M" SOCKET HEX REF TABLE 1

"G" WRENCH TIP HEX TABLE 1

**HLA 4001 - 437 -156**

Example 1: complete driver assy. part no.

**ORDERING INFORMATION**

1. Determine collar driving hex dimensions of the fasteners to be installed.
2. See table 1 for "M" socket hex to match collar driving hex dimensions. Determine complete tool assembly part no. See example 1.
3. See table 2 for complete tool assembly part nos. to obtain an Offset Adaptor Assembly featuring a thru-hex socket, less finder pin and leaf spring.
4. See example 2.

**TECHNICAL DATA**

Operating Pressure .....	90 PSIA	Horsepower Rating .....	0.50
<b>MAX. TORQUE RATING</b> .....	300 in. lb	Air Consumption .....	22 SCFM
(Motor)	@ 90 PSIA	Weight .....	2 lb
Socket Speed .....	250 RPM		

**TABLE 1**

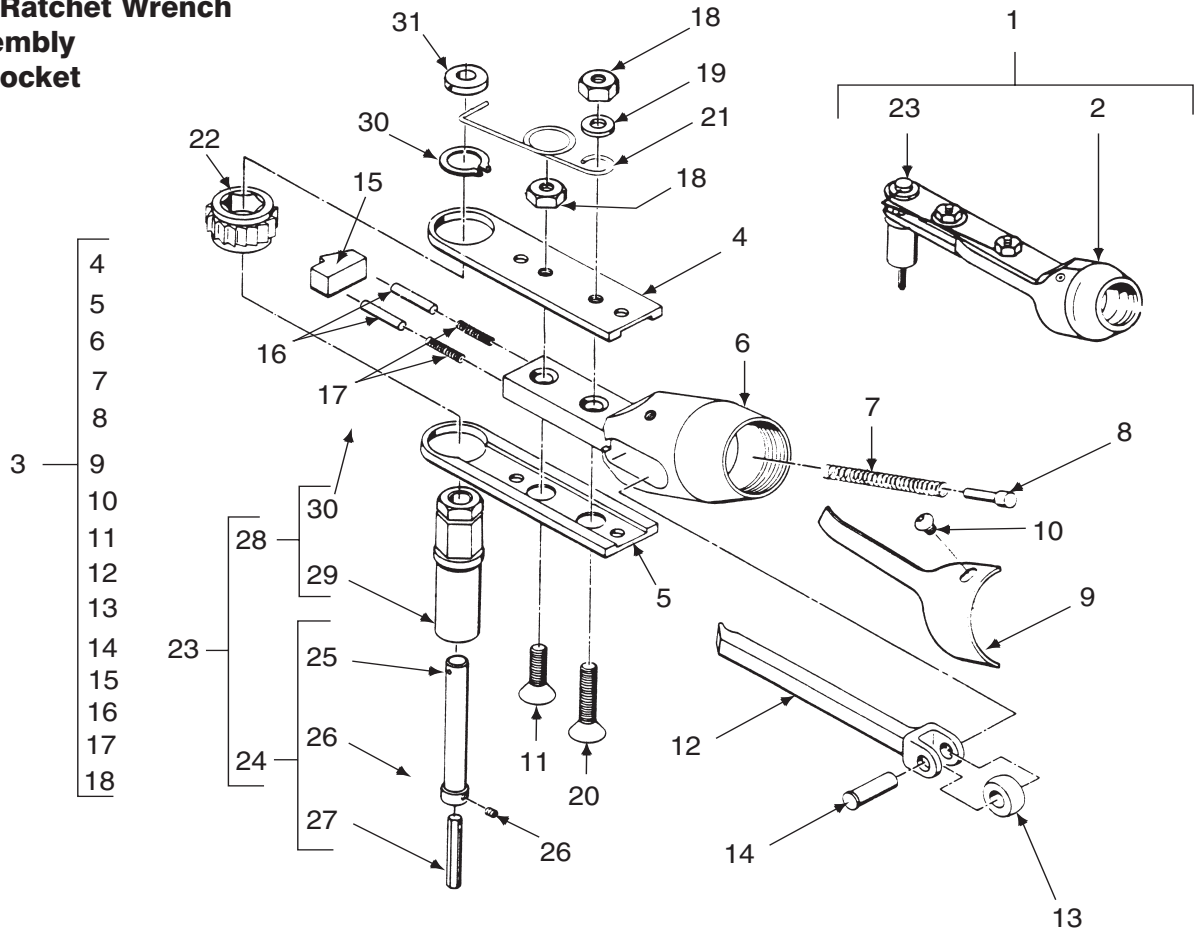
"M" SOCKET HEX (Matches Collar Driving Hex)	COMPLETE TOOL ASSY.	RATCHET WRENCH ATTACHMENT ASSY.	EXTENDED SOCKET ASSY.
7/16	HLA3522-437( )-125T	HLDA362-437( )-125T	HLS352A-437( )-125T
1/2	HLA3522-500( )-125T	HLDA362-500( )-125T	HLS352A-500( )-125T
9/16	HLA3522-562( )-125T	HLDA362-562( )-125T	HLS352A-562( )-125T
5/8	HLA3522-625( )-125T	HLDA362-625( )-125T	HLS352A-625( )-125T
11/16	HLA3522-687( )-125T	HLDA362-687( )-125T	HLS352A-687( )-125T
7/16	HLA3522-437( )-156T	HLDA362-437( )-156T	HLS352A-437( )-156T
1/2	HLA3522-500( )-156T	HLDA362-500( )-156T	HLS352A-500( )-156T
9/16	HLA3522-562( )-156T	HLDA362-562( )-156T	HLS352A-562( )-156T
5/8	HLA3522-625( )-156T	HLDA362-625( )-156T	HLS352A-625( )-156T
11/16	HLA3522-687( )-156T	HLDA362-687( )-156T	HLS352A-687( )-156T

**SUPER HLA3522  
LARGE 20° OFFSET RATCHET WRENCH TOOL ASSY w/Extended Socket  
& Super-Key™ (T-Series)**



# HLDA362

## Large 20° Offset Ratchet Wrench Attachment Assembly with Extended Socket



**TABLE 2**

**WRENCH TIP**

HEX SIZE (Matches Pin Recess Hex)	PART NO.
1/8	HLT140-125
5/32	HLT140-156

ITEM	PART NO.	DESCRIPTION	QTY	ITEM	PART NO.	DESCRIPTION	QTY
1	HLDA362-( ) ( ) ( )	Ratchet wrench attachment assy.	1	17	9D-6089	... Spring	2
2	HLRA362	. Ratchet attachment assy.	1	18	C-101-D	... Nut	2
3	504158	.. Ratchet attachment sub-assy.	1	19	AN960-416	.. Washer	1
4	9D-6229	... Sideplate, tapped	1	20	1/4-20 x 1" lg.	.. Screw, flat head socket cap 82°	1
5	9D-6230	... Sideplate, countersunk	1	21	HLB1474-11	.. Spring	1
6	A-9D-6096	... Housing	1	22	28066	.. Gear, socket	1
7	9D-2582	... Spring	1	23	HLS352A-( ) ( ) ( ) T	. Socket assy., extended	1
8	9D-5159	... Pin	1	24	HLW352-( ) ( ) ( )	.. Holder assy., wrench tip	1
9	9D-5170	... Cover	1	25	HLB293-( ) ( ) ( )	... Holder	1
10	B-117-J	... Screw	2	26	5-40 x 1/8 lg.	... Set screw	1
11	B-123-X	... Screw	1	27	HLT140-( ) Table 2	... wrench tip	1
12	A-27415	... Pushrod	1	28	HLS352-( ) ( )	.. Socket assy.	1
13	9D-2545	... Roller	1	29	HLS353-( ) ( )	... Socket	1
14	9D-2725	... Pin	1	30	5103-56	... Retaining ring	1
15	27278	... Pawl	1	31	HLB1578-1	9/16 (.562) Socket hex & smaller	1
16	80G-220	... Pin	2	31	HLB1578-2	5/8 (.625) Socket hex & larger	1

**HS TOOLING**

14083 S. Normandie Ave, Gardena CA 90249 USA  
800.482.4167 • fax 310.464.8545

**HLDA362**

**LARGE 20° OFFSET RATCHET WRENCH ATTACHMENT ASSY w/Extended Socket**