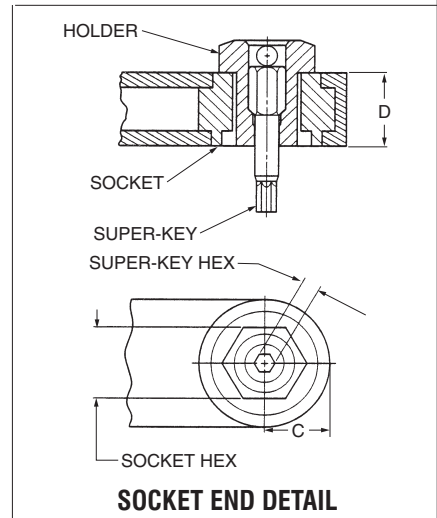
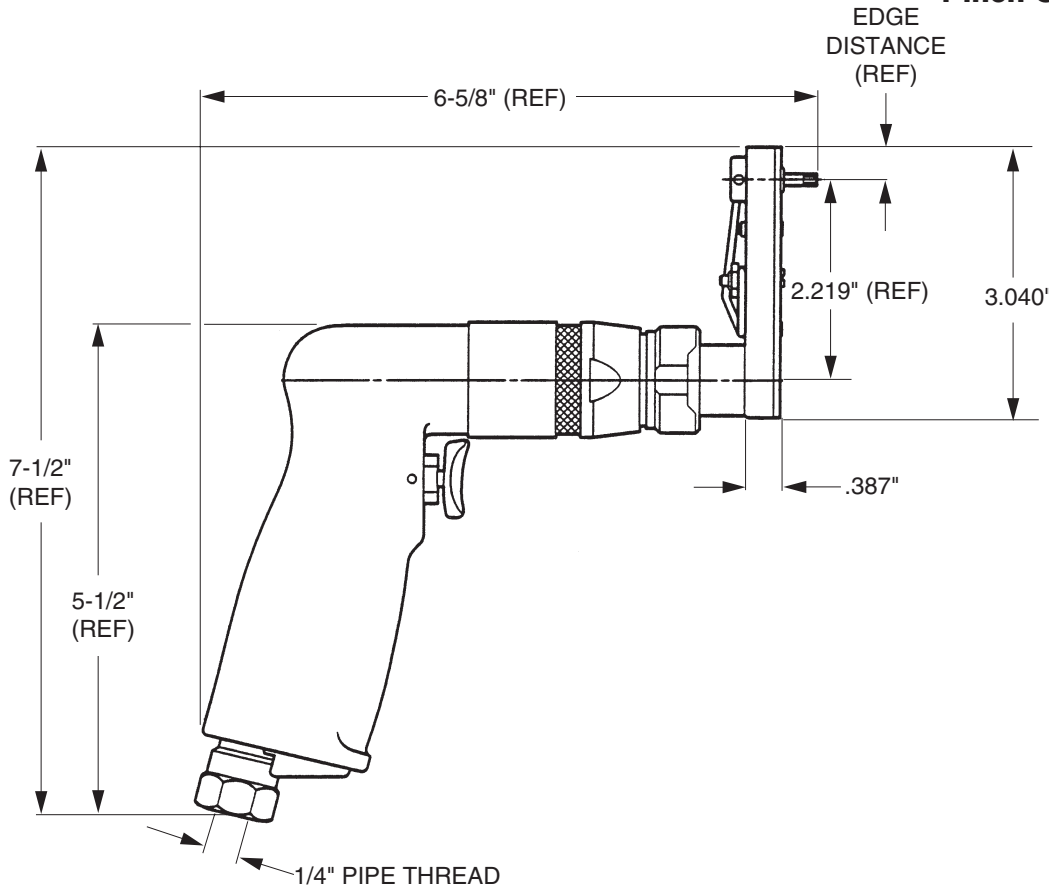


INSTALLATION TOOLING

SUPER HLA1201

**1 inch Offset Mini Driver Assembly
with Thin Flush Socket and
Super-Key™ (T-Series)**



Socket Size	A C to C	B Overall	C Edge Dist.	D Width
ALL	1.094	2.000	0.360	0.387

TECHNICAL DATA

Operating Pressure	90 PSIA	Horsepower Rating	0.2
MAX. TORQUE RATING	60 in. lb (Motor) @ 90 PSIA	Air Consumption	20 CFM
Socket Speed	500 RPM	Weight	2 lb

TABLE 1

COLLAR DRIVING HEX (Matches Socket Hex)	PIN RECESS HEX (Matches Super-Key Hex)	COMPLETE DRIVER ASSY. PART NO.	OFFSET ADAPTOR AND SOCKET ASSY. PART NO.
3/16	1/16	HLA1201-187-062T	HLG326-187-062T
7/32		HLA1201-218-062T	HLG326-218-062T
1/4		HLA1201-250-062T	HLG326-250-062T
9/32		HLA1201-281-062T	HLG326-281-062T
5/16		HLA1201-312-062T	HLG326-312-062T
11/32	5/64	HLA1201-343-062T	HLG326-343-062T
7/32		HLA1201-218-078T	HLG326-218-078T
1/4		HLA1201-250-078T	HLG326-250-078T
9/32		HLA1201-281-078T	HLG326-281-078T
5/16		HLA1201-312-078T	HLG326-312-078T
11/32		HLA1201-343-078T	HLG326-343-078T

DRIVER BASIC PART NO.

SOCKET HEX REF. TABLE 1

SUPER-KEY HEX REF. TABLE 1

SUPER-KEY (T-SERIES)

HLA1201-312-078-T

Example: complete driver assy. part no.

ORDERING INFORMATION

- Match pin and collar hexes with Super-Key Hex and Socket Hex.
- See table 1 for corresponding complete driver assy part no.

**SUPER HLA1201
1 INCH OFFSET MINI DRIVER ASSEMBLY with Thin Flush Socket & Super-Key (T-Series)**



3019 rev —

HLG326

1 Inch Offset Mini Adaptor Assembly with Multi-Length Socket and Super-Key™ (T-Series)

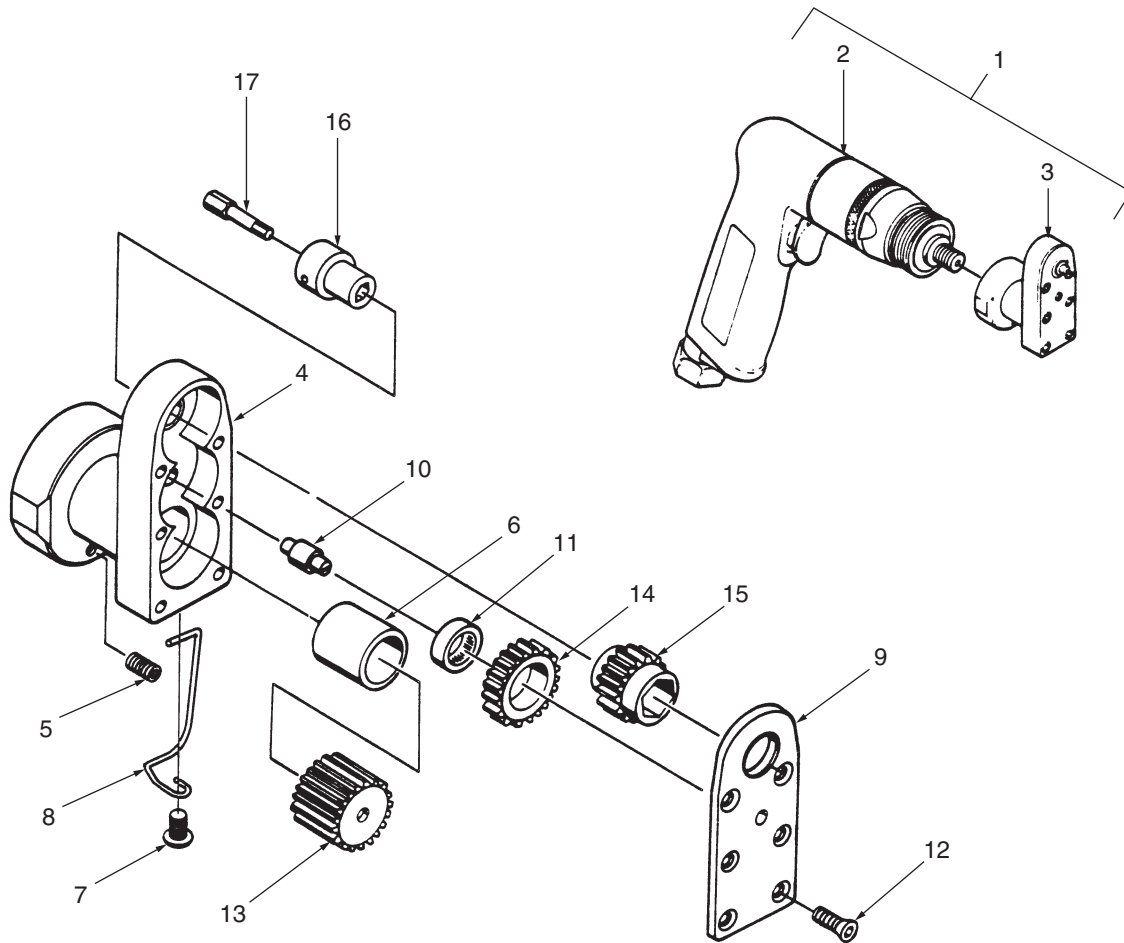


TABLE 2

SOCKET GEAR

HEX SIZE (Matches Collar Driving Hex)	PART NO.
3/16	HLB1543-187
7/32	HLB1543-218
1/4	HLB1543-250
9/32	HLB1543-281
5/16	HLB1543-312
11/32	HLB1543-343

TABLE 3

SUPER-KEY

HEX SIZE (Matches Pin Recess Hex)	PART NO.
1/16	HLT140K-062
5/64	HLT140K-078

ITEM	PART NO.	DESCRIPTION	QTY	ITEM	PART NO.	DESCRIPTION	QTY
1	HLA1201-()-()T	Complete tool assy.	1	10	HLB1628	.. Intermediate	1
2	HLB1575	.. Air motor assy.	1	11	B34	.. Bearing (Torrington)	1
3	HLG326-()-()T	.. Offset adaptor & socket assy.	1	12	HLB379	.. Screw, flat head socket	6
4	HLB1563	.. Housing	1	13	HLB1541	.. Gear, drive	1
5	5-40 UNC x .125 lg.	.. Set screw	1	14	HLB1544	.. Gear, idler	1
6	HLB1542	.. Spacer	1	15	HLB1543-()	.. Gear, socket Table 2	1
7	6-32 x .187 lg.	.. Screw, button head	1	16	HLB138-()	.. Holder	1
8	HLB1627	.. Spring, ejector	1	17	HLT140K-()	.. Super-Key Table 3	1
9	HLB1540	.. Cover	1				

HS TOOLING

14083 S. Normandie Ave, Gardena CA 90249 USA
800.482.4167 • fax 310.464.8545

HLG326

1 INCH OFFSET MINI ADAPTOR ASSEMBLY w/Multi-Length Socket & Super-Key™ (T-Series)