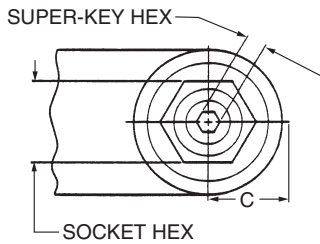
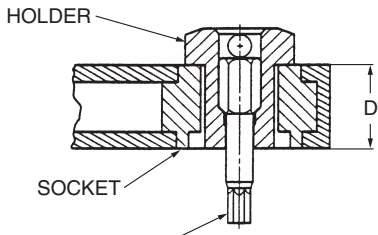


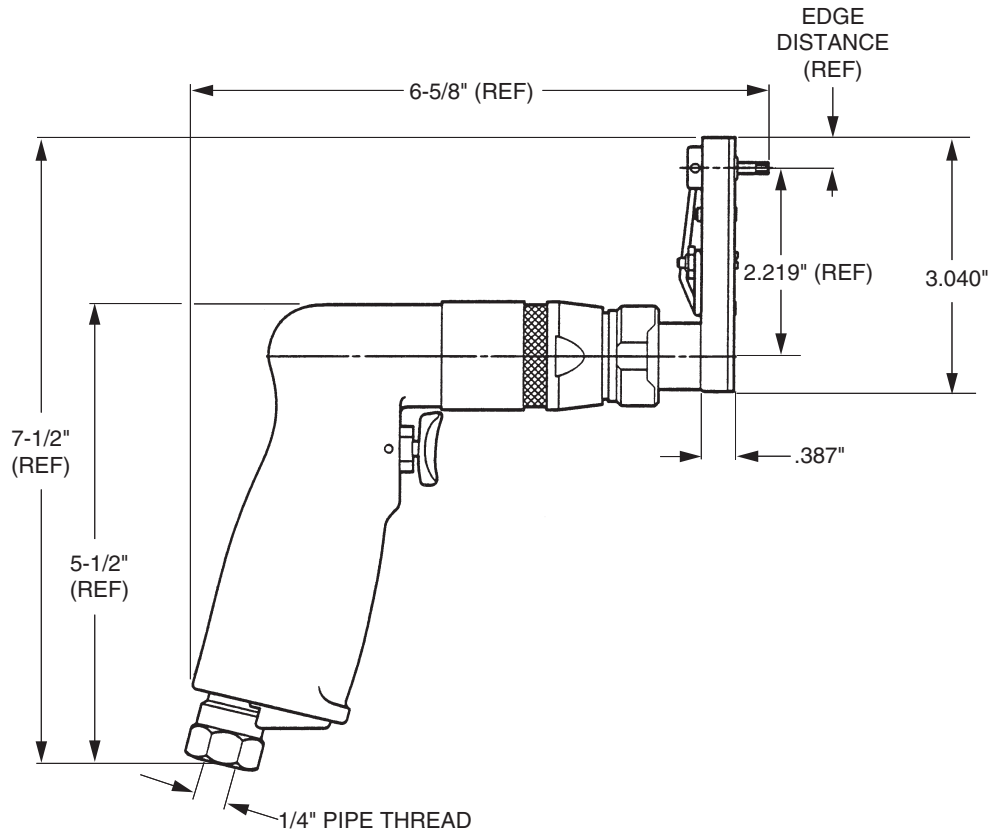
# INSTALLATION TOOLING

# SUPER HLA1202

## 2 Inch Offset Mini Driver Assembly with Thin Flush Socket and Super-Key™ (T-Series)



**SOCKET END DETAIL**



DRIVER BASIC PART NO.

SOCKET HEX REF. TABLE 1

SUPER-KEY HEX REF. TABLE 1

SUPER-KEY HEX (T-SERIES)

**HLA1202-312-078-T**

Example: complete driver assy. part no.

**ORDERING INFORMATION**

1. Match pin and collar hexes with Super-Key Hex and Socket Hex.
2. See table 1 for corresponding complete driver assy part no.

Socket Size	A C to C	B Overall	C Edge Dist.	D Width
ALL	2.219	3.040	0.360	0.387

**TECHNICAL DATA**

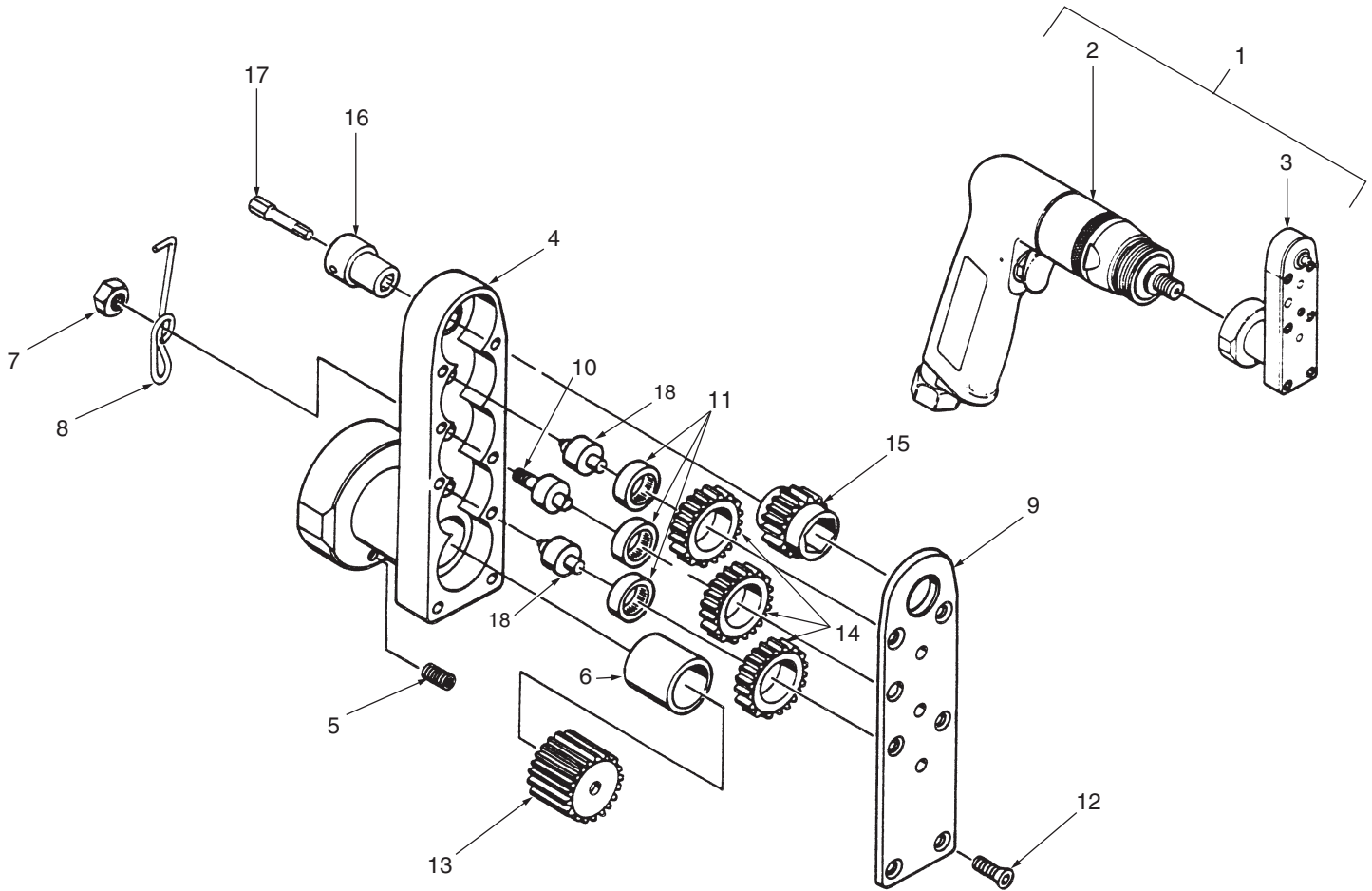
Operating Pressure .....	90 PSIA	Horsepower Rating .....	0.2
<b>MAX. TORQUE RATING</b> .....	60 in. lb	Air Consumption .....	20 CFM
(Motor)	@ 90 PSIA	Weight .....	2 lb
Socket Speed .....	500 RPM		

**TABLE 1**

COLLAR DRIVING HEX (Matches Socket Hex)	PIN RECESS HEX (Matches Super-Key Hex)	COMPLETE DRIVER ASSY. PART NO.	OFFSET ADAPTOR AND SOCKET ASSY. PART NO.
3/16	1/16	HLA1202-187-062T	HLG327-187-062T
7/32		HLA1202-218-062T	HLG327-218-062T
1/4		HLA1202-250-062T	HLG327-250-062T
9/32		HLA1202-281-062T	HLG327-281-062T
5/16		HLA1202-312-062T	HLG327-312-062T
11/32	5/64	HLA1202-343-062T	HLG327-343-062T
7/32		HLA1202-218-078T	HLG327-218-078T
1/4		HLA1202-250-078T	HLG327-250-078T
9/32		HLA1202-281-078T	HLG327-281-078T
5/16		HLA1202-312-078T	HLG327-312-078T
11/32		HLA1202-343-078T	HLG327-343-078T

# HLG327

## 2 Inch Offset Mini Adaptor Assembly with Thin FLush Socket and Super-Key™ (T-Series)



**TABLE 2**

**SOCKET GEAR**

HEX SIZE (Matches Collar Driving Hex)	PART NO.
3/16	HLB1543-187
7/32	HLB1543-218
1/4	HLB1543-250
9/32	HLB1543-281
5/16	HLB1543-312
11/32	HLB1543-343

**TABLE 3**

**SUPER-KEY**

HEX SIZE (Matches Pin Recess Hex)	PART NO.
1/16	HLT140K-062
5/64	HLT140K-078

ITEM	PART NO.	DESCRIPTION	QTY	ITEM	PART NO.	DESCRIPTION	QTY
1	HLA1202-( )-( )T	Complete tool assy.	1	10	HLB208-3	.. Shaft	1
2	HLB1575	.. Air motor assy.	1	11	B34	.. Bearing (Torrington)	1
3	HLG327-( )-( )T	.. Offset adaptor & socket assy.	1	12	HLB379	.. Screw, flat head socket	6
4	HLB1563	.. Housing	1	13	HLB1541	.. Gear, drive	1
5	5-40 UNC x .125 lg.	.. Set screw	1	14	HLB1544	.. Gear, idler	3
6	HLB1542	.. Spacer	1	15	HLB1543-( )	.. Gear, socket <b>Table 2</b>	1
7	AN364-632C	.. Nut, hex	1	16	HLB138-( )	.. Holder	1
8	HLB1545	.. Spring, ejector	1	17	HLT140K-( )	.. Super-Key <b>Table 3</b>	1
9	HLB1556	.. Cover	1	18	HLB1628	.. Shaft, intermediate	2

**HS TOOLING**

14083 S. Normandie Ave, Gardena CA 90249 USA  
800.482.4167 • fax 310.464.8545

**HLG327**

**2 INCH OFFSET MINI ADATPRO ASSEMBLY w/Thin Flush Socket & Super-Key™(T-Series)**