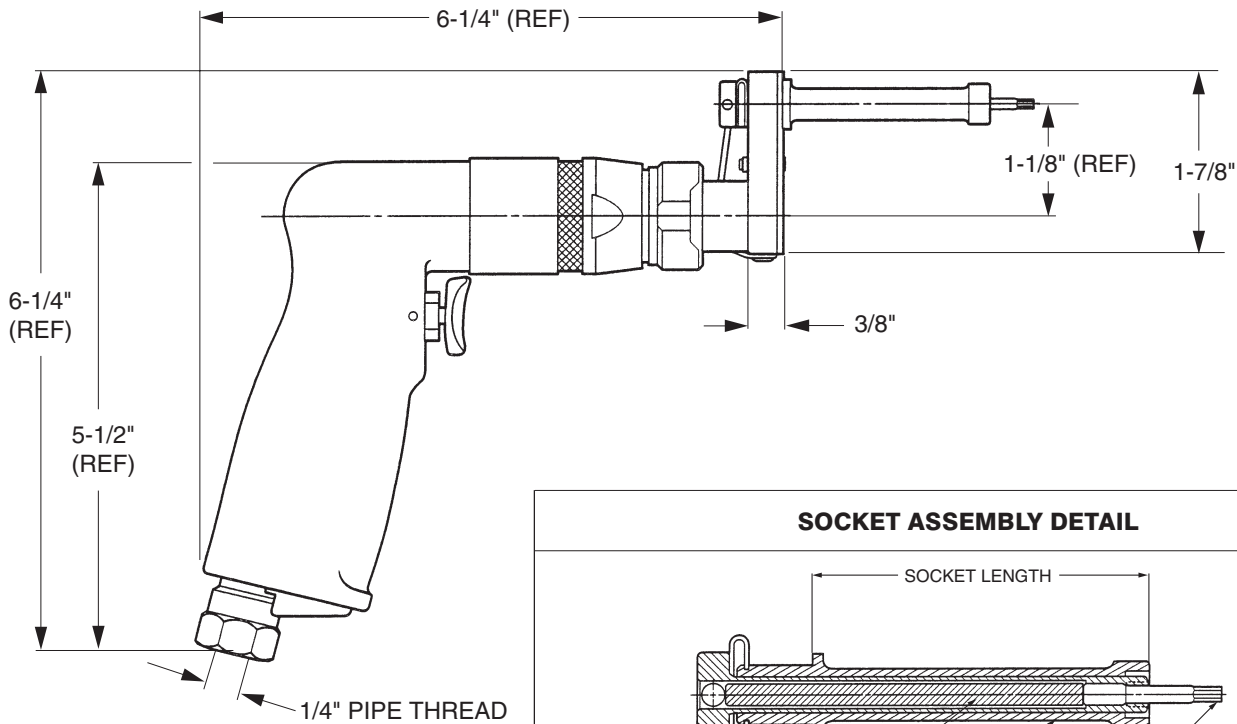


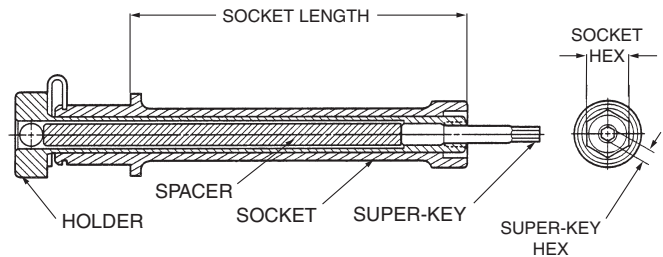
INSTALLATION TOOLING

SUPER HLA1203

1 Inch Offset Mini Driver Assembly
with Multi-Length Socket
and Super-Key™ (T-Series)



SOCKET ASSEMBLY DETAIL



TECHNICAL DATA

Operating Pressure	90 PSIA	Horsepower Rating	0.2
MAX. TORQUE RATING	60 in. lb	Air Consumption	20 CFM
(Motor)	@ 90 PSIA	Weight	2 lb
Socket Speed	500 RPM		

TABLE 1

COLLAR DRIVING HEX (Matches Socket Hex)	PIN RECESS HEX (Matches Super-Key Hex)	COMPLETE DRIVER ASSY. PART NO.	OFFSET ADAPTOR AND SOCKET ASSY. PART NO.
7/32	1/16	HLA1203-218-062T	HLS32-218()-062T
7/32	5/64	HLA1203-218-078T	HLS32-218()-078T
1/4	1/16	HLA1203-250-062T	HLS32-250()-062T
1/4	5/64	HLA1203-250-078T	HLS32-250()-078T
9/32	1/16	HLA1203-281-062T	HLS32-281()-062T
9/32	5/64	HLA1203-281-078T	HLS32-281()-078T
5/16	1/16	HLA1203-312-062T	HLS32-312()-062T
5/16	5/64	HLA1203-312-078T	HLS32-312()-078T
5/16	3/32	HLA1203-312-094T	HLS32-312()-094T
11/32	1/16	HLA1203-343-062T	HLS32-343()-062T
11/32	5/64	HLA1203-343-078T	HLS32-343()-078T
11/32	3/32	HLA1203-343-094T	HLS32-343()-094T

TABLE 2

A = 0.50	E = 0.75
B = 1.00	F = 1.75
C = 1.50	X = 4.00
D = 2.00	

DRIVER BASIC PART NO.

SOCKET HEX REF. TABLE 1

SOCKET LENGTH REF. TABLE 2

SUPER-KEY HEX REF. TABLE 1

SUPER-KEY HEX REF. TABLE 1

HLA1203-312 (B) - 078-T

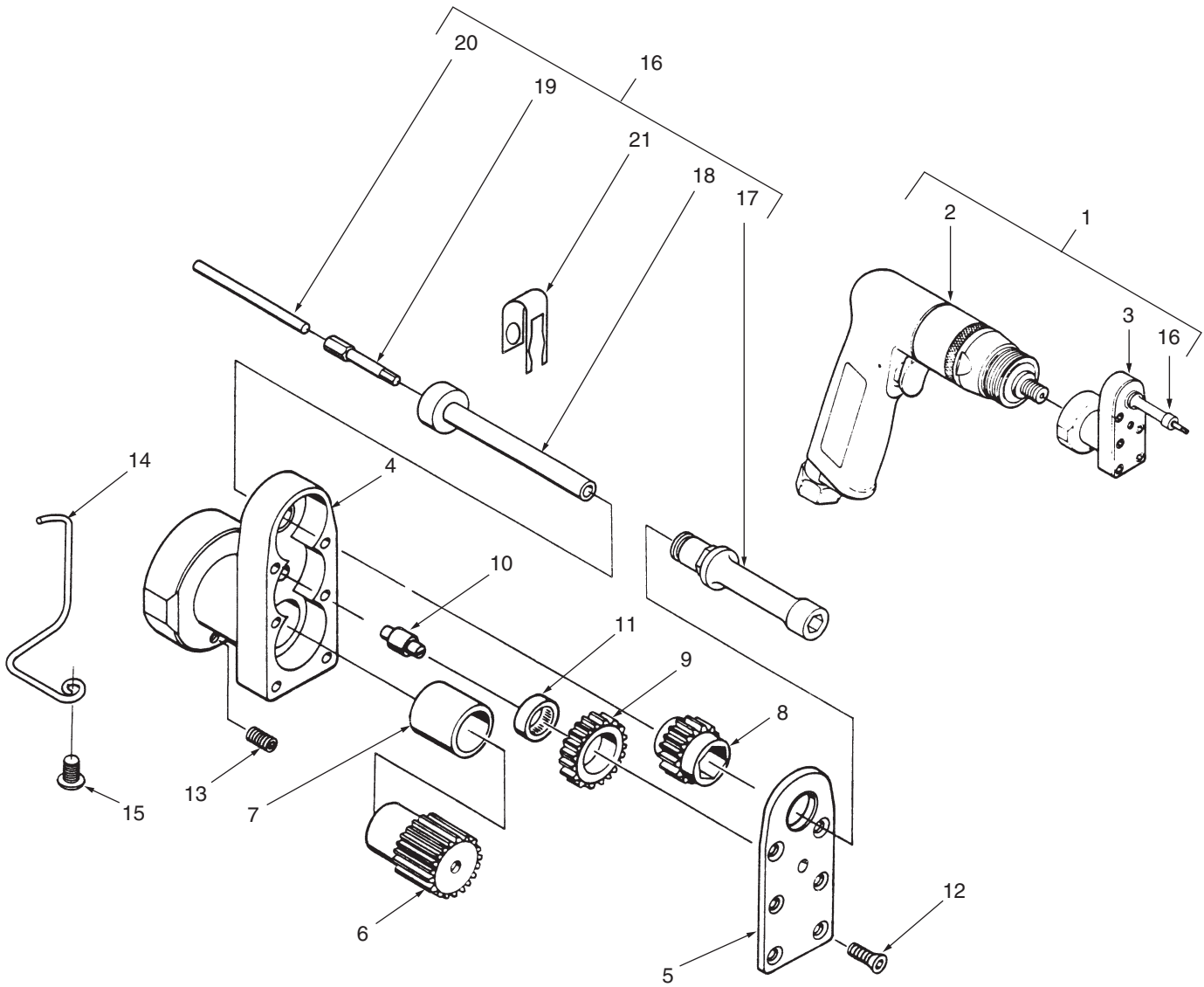
Example: complete driver assy. part no.

ORDERING INFORMATION

- Match pin and collar hexes with Super-Key Hex and Socket Hex.
- See table 1 for corresponding complete driver assy part no.

HLG326

1 Inch Offset Mini Adaptor Assembly with Multi-Length Socket and Super-Key™ (T-Series)



ITEM	PART NO.	DESCRIPTION	QTY	ITEM	PART NO.	DESCRIPTION	QTY
1	HLA1203-()-()T	Complete tool assy.	1	12	HLB379	.. Screw, flat head socket	5
2	HLB1575	.. Air motor assy.	1	13	5-40 UNC x .187 lg.	.. Set screw	1
3	HLG326-343	.. Attachment assy.	1	14	HLB1627	.. Spring, ejector	1
4	HLB1563	.. Housing	1	15	6-32 UNC x .187 lg.	.. Screw, button head cap	1
5	HLB1540	.. Cover	1	16	HLS32-()()-078	.. Socket assy.	1
6	HLB1541	.. Gear, drive	1	17	HLS71-()()	.. Socket, hex	1
7	HLB1542	.. Spacer	1	18	HLB1615-250()	.. Holder	1
8	HLB1543-343	.. Gear, socket	1	19	HLT140K-(078)	.. Super-Key	1
9	HLB1544	.. Gear, idler	1	20	HLB1616-()	.. Spacer	1
10	HLB1628	.. Shaft, intermediate	1	21	HLB1635	.. Ring, lock	1
11	B34	.. Bearing (Torrington)	1				

HS TOOLING

14083 S. Normandie Ave, Gardena CA 90249 USA
800.482.4167 • fax 310.464.8545

HLG326

**1 INCH OFFSET MINI ADAPTOR ASSEMBLY with Multi-Length Socket
and Super-Key™ (T-Series)**

3024

rev —