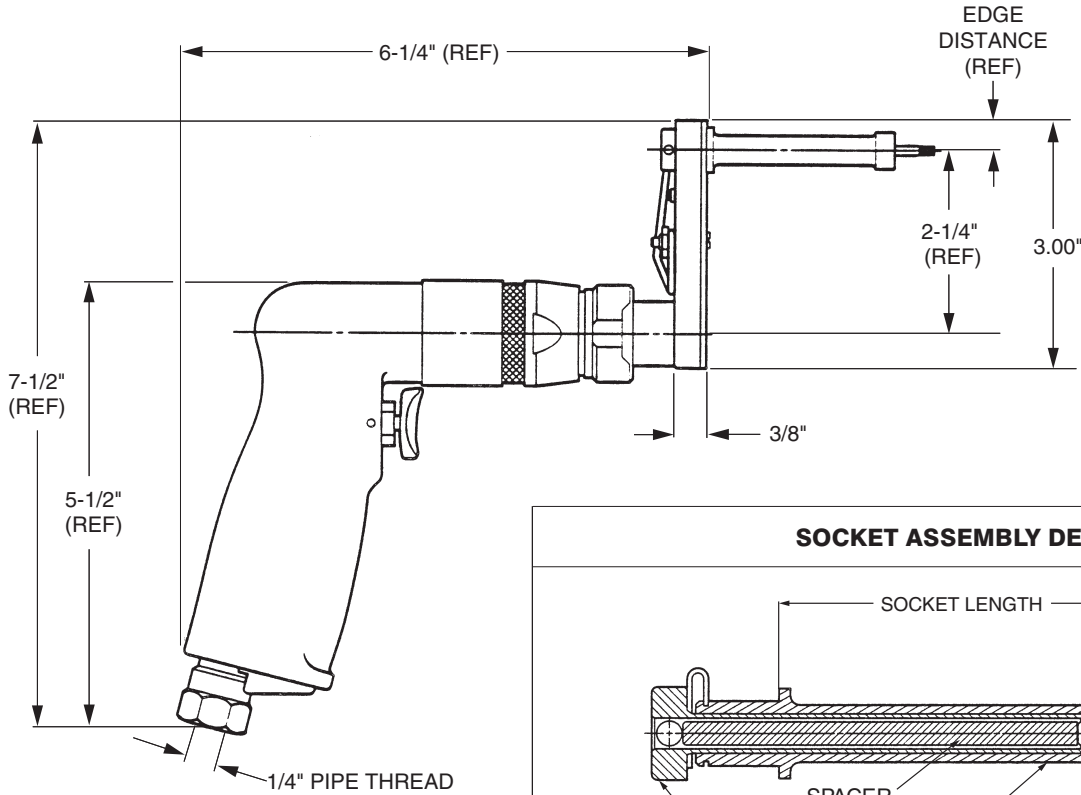


# INSTALLATION TOOLING

# HLA1204

## 2 Inch Offset Mini Driver Assembly with Multi-Length Socket and Super-Key™ (T-Series)



DRIVER BASIC PART NO. **HLA1204**  
 SOCKET HEX REF. TABLE 1 **312**  
 SOCKET LENGTH REF. TABLE 2 **(B)**  
 SUPER-KEY HEX REF. TABLE 1 **078**  
 SUPER-KEY HEX (T-SERIES) **-T**  
 Example: complete driver assy. part no.

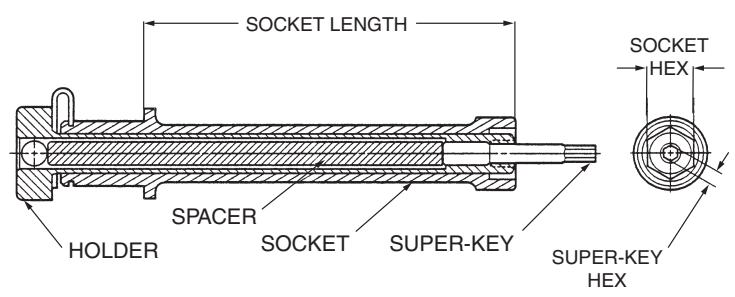
### ORDERING INFORMATION

- Match pin and collar hexes with Super-Key Hex and Socket Hex.
- See table 1 for corresponding complete driver assy part no.

**TABLE 2**

|          |          |
|----------|----------|
| A = 0.50 | E = 0.75 |
| B = 1.00 | F = 1.75 |
| C = 1.50 | X = 4.00 |
| D = 2.00 |          |

### SOCKET ASSEMBLY DETAIL



### TECHNICAL DATA

|                                 |                             |                         |        |
|---------------------------------|-----------------------------|-------------------------|--------|
| Operating Pressure .....        | 90 PSIA                     | Horsepower Rating ..... | 0.2    |
| <b>MAX. TORQUE RATING</b> ..... | 60 in. lb (Motor) @ 90 PSIA | Air Consumption .....   | 20 CFM |
| Socket Speed .....              | 500 RPM                     | Weight .....            | 2 lb   |

**TABLE 1**

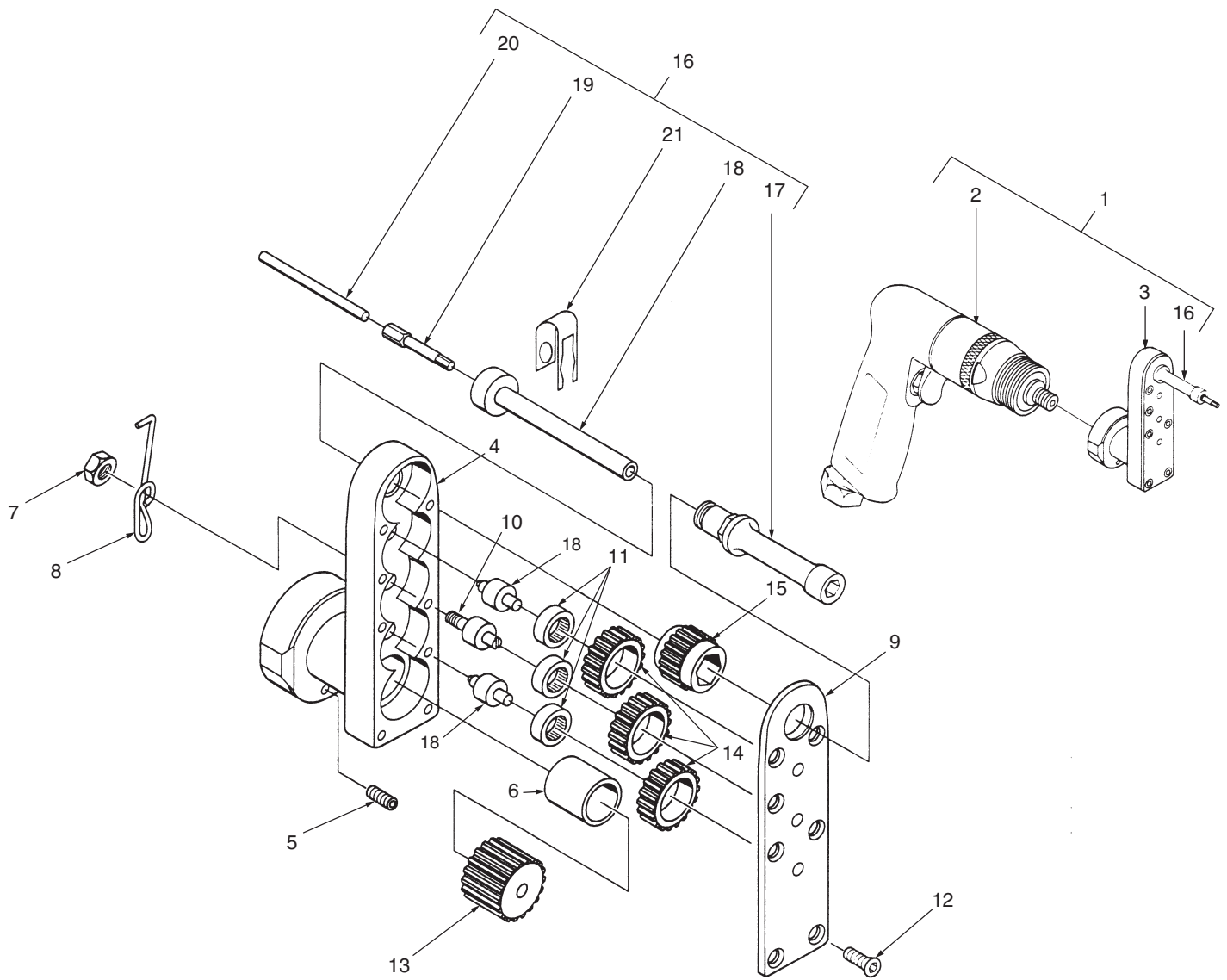
| COLLAR DRIVING HEX (Matches Socket Hex) | PIN RECESS HEX (Matches Super-Key Hex) | COMPLETE DRIVER ASSY. PART NO. | OFFSET ADAPTOR AND SOCKET ASSY. PART NO. |
|---|--|--------------------------------|--|
| 7/32                                    | 1/16                                   | HLA1203-218-062T               | HLS32-218( )-062T                        |
| 7/32                                    | 5/64                                   | HLA1203-218-078T               | HLS32-218( )-078T                        |
| 1/4                                     | 1/16                                   | HLA1203-250-062T               | HLS32-250( )-062T                        |
| 1/4                                     | 5/64                                   | HLA1203-250-078T               | HLS32-250( )-078T                        |
| 9/32                                    | 1/16                                   | HLA1203-281-062T               | HLS32-281( )-062T                        |
| 9/32                                    | 5/64                                   | HLA1203-281-078T               | HLS32-281( )-078T                        |
| 5/16                                    | 1/16                                   | HLA1203-312-062T               | HLS32-312( )-062T                        |
| 5/16                                    | 5/64                                   | HLA1203-312-078T               | HLS32-312( )-078T                        |
| 5/16                                    | 3/32                                   | HLA1203-312-094T               | HLS32-312( )-094T                        |
| 11/32                                   | 1/16                                   | HLA1203-343-062T               | HLS32-343( )-062T                        |
| 11/32                                   | 5/64                                   | HLA1203-343-078T               | HLS32-343( )-078T                        |
| 11/32                                   | 3/32                                   | HLA1203-343-094T               | HLS32-343( )-094T                        |

**SUPER HLA1204**  
**2 INCH OFFSET MINI DRIVER ASSEMBLY with Multi-Length Socket and Super-Key™ (T-Series)**



# HLG328

## 2 Inch Offset Mini Driver Assembly with Multi-Length Socket and Super-Key™ (T-Series)



| ITEM | PART NO.            | DESCRIPTION                       | QTY | ITEM | PART NO.         | DESCRIPTION                     | QTY |
|------|---------------------|-----------------------------------|-----|------|------------------|---------------------------------|-----|
| 1    | HLA1204-( )-( )T    | Complete tool assy.               | 1   | 12   | HLB379           | . . Screw, flat head socket     | 6   |
| 2    | HLB1575             | . . Air motor assy.               | 1   | 13   | HLB1541          | . . Gear, drive                 | 1   |
| 3    | HLG328-( )( )T      | . . Offset adaptor & socket assy. | 1   | 14   | HLB1544          | . . Gear, idler                 | 3   |
| 4    | HLB1564             | . . Housing                       | 1   | 15   | HLB1543-( )      | . . Gear, socket <b>Table 3</b> | 1   |
| 5    | 5-40 UNC x .125 lg. | . . Set screw                     | 1   | 16   | HLS32-( )( )-078 | . . Socket assy.                | 1   |
| 6    | HLB1542             | . . Spacer                        | 1   | 17   | HLS71-( )( )     | . . Socket, hex                 | 1   |
| 7    | AN364-632C          | . . Nut, hex                      | 1   | 18   | HLB1615-250( )   | . . Holder                      | 1   |
| 8    | HLB1545             | . . Spring, ejector               | 1   | 19   | HLT140K-(078)    | . . Super-Key                   | 1   |
| 9    | HLB1566             | . . Cover                         | 1   | 20   | HLB1616-( )      | . . Spacer                      | 1   |
| 10   | HLB208-3            | . . Shaft                         | 1   | 21   | HLB1635          | . . Ring, lock                  | 1   |
| 11   | B34                 | . . Bearing (Torrington)          | 3   |      |                  |                                 |     |

**HS TOOLING**

14083 S. Normandie Ave, Gardena CA 90249 USA  
800.482.4167 • fax 310.464.8545

**HLG328**

**2 Inch Offset Mini Driver Assembly with Multi-Length Socket and Super-Key™ (T-Series)**

3026

rev —