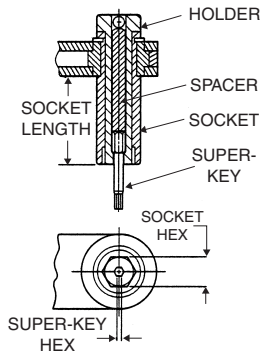


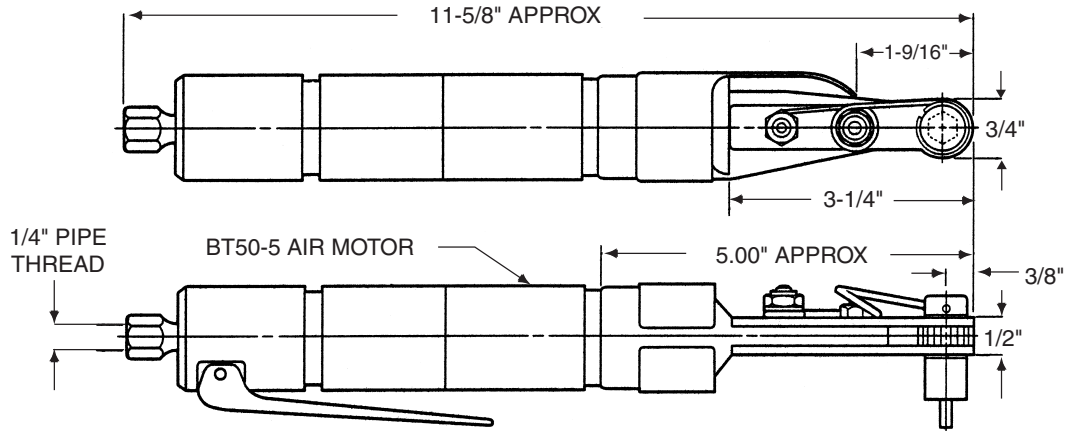
INSTALLATION TOOLING

SUPER HLA2002

**Straight Ratchet Wrench Driver Assembly
with Multi-Length Socket and Super-Key™ (T-Series)**



SOCKET END DETAIL



TECHNICAL DATA

Operating Pressure	90 PSIA	Horsepower Rating	0.50
MAX. TORQUE RATING	110 in. lb (Motor) @ 90 PSIA	Air Consumption	22 scfm
Socket Speed	250 RPM	Weight	2 lb

TABLE 1

COLLAR DRIVING HEX (Matches Socket Hex)	PIN RECESS HEX (Matches Super-Key Hex)	COMPLETE DRIVER ASSY. PART NO.	OFFSET ADAPTOR & SOCKET ASSY. PART NO.	EXTENDED SOCKET ASSY. PART NO.		
3/16	1/16	HLA2002-187()-062T	HLR252-187()-062T	HLS76-187()-062T		
7/32		HLA2002-218()-062T	HLR252-218()-062T	HLS76-218()-062T		
1/4		HLA2002-250()-062T	HLR252-250()-062T	HLS76-250()-062T		
9/32		HLA2002-281()-062T	HLR252-281()-062T	HLS76-281()-062T		
5/16		HLA2002-312()-062T	HLR252-312()-062T	HLS76-312()-062T		
11/32		HLA2002-343()-062T	HLR252-343()-062T	HLS76-343()-062T		
7/32	5/64	HLA2002-218()-078T	HLR252-218()-078T	HLS76-218()-078T		
1/4		HLA2002-250()-078T	HLR252-250()-078T	HLS76-250()-078T		
9/32		HLA2002-281()-078T	HLR252-281()-078T	HLS76-281()-078T		
5/16		HLA2002-312()-078T	HLR252-312()-078T	HLS76-312()-078T		
11/32		HLA2002-343()-078T	HLR252-343()-078T	HLS76-343()-078T		
3/8		HLA2002-375()-078T	HLR252-375()-078T	HLS76-375()-078T		
A = 0.50 B = 1.00 C = 1.50 D = 2.00	E = 0.75 F = 1.75 X = 4.00	5/16 11/32 3/8 7/16	3/32	HLA2002-312()-094T	HLR252-312()-094T	HLS76-312()-094T
				HLA2002-343()-094T	HLR252-343()-094T	HLS76-343()-094T
				HLA2002-375()-094T	HLR252-375()-094T	HLS76-375()-094T
				HLA2002-437()-094T	HLR252-437()-094T	HLS76-437()-094T

TABLE 2

A = 0.50	E = 0.75
B = 1.00	F = 1.75
C = 1.50	X = 4.00
D = 2.00	

DRIVER BASIC PART NO.

SOCKET HEX REF. TABLE 1

SOCKET LENGTH (REF TABLE 2)

SUPER-KEY HEX (REF TABLE 1)

SUPER-KEY (T-SERIES)

HLA2002-312(A)-078T

Example: complete driver assy. part no.

ORDERING INFORMATION

1. Match pin and collar hexes with Super-Key Hex and Socket Hex.
2. See table 1 for corresponding complete driver assy part no.