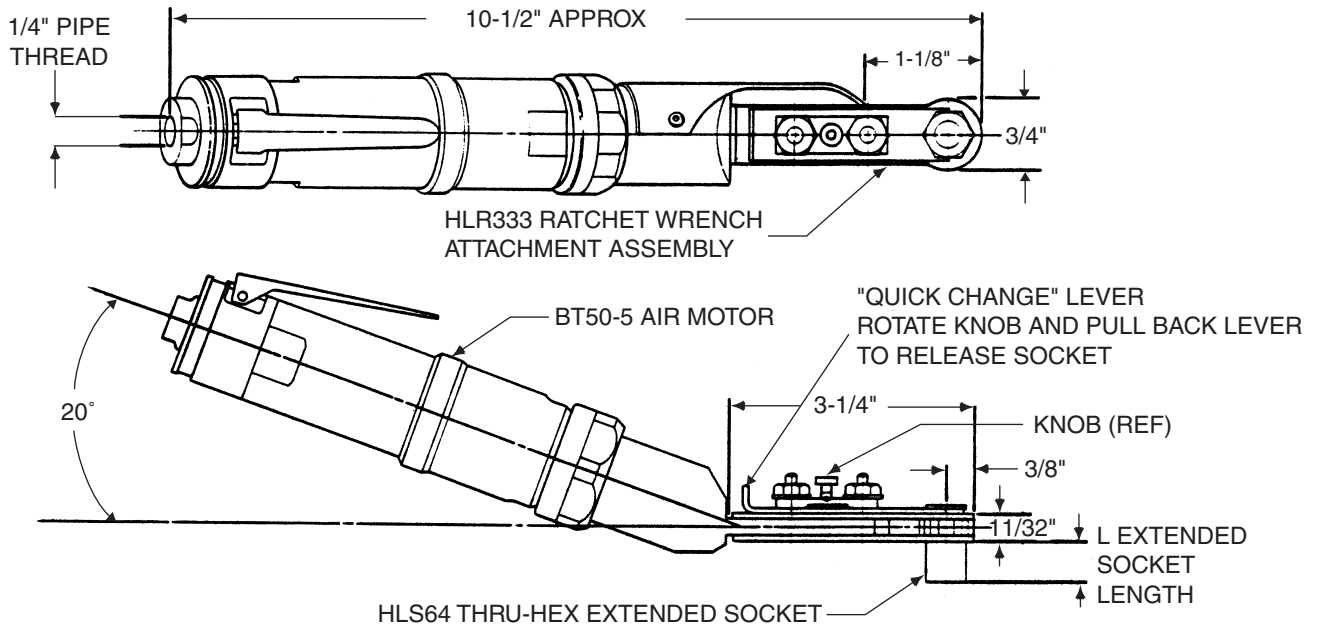


# INSTALLATION TOOLING

# HLA2026

## Small 20° Offset Ratchet Wrench Tool Assembly with "Quick Change" Thru-Hex Extended Socket



DRIVER BASIC PART NO.

"M" SOCKET HEX REF. TABLE 1

SOCKET LENGTH (REF TABLE 2)

**HLA2026-312 (A)**

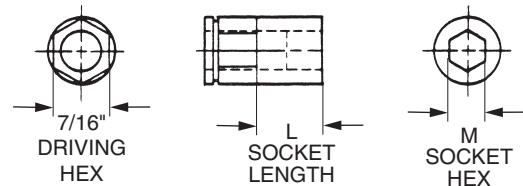
Example: complete driver assy. part no.

### ORDERING INFORMATION

- See table 1 for "M" socket hex to match collar driving hex dimension.
- See table 2 for socket length code.

**TABLE 2**

A = 0.50	E = 0.75
B = 1.00	F = 1.75
C = 1.50	X = 4.00
D = 2.00	



**HLS64 THRU-HEX EXTENDED SOCKET**

### TECHNICAL DATA

Operating Pressure .....	90 PSIA	Horsepower Rating .....	0.50
<b>MAX. TORQUE RATING</b> .....	110 in. lb	Air Consumption .....	22 SCFM
(Motor)	@ 90 PSIA	Weight .....	2 lb
Socket Speed .....	250 RPM		

**TABLE 1**

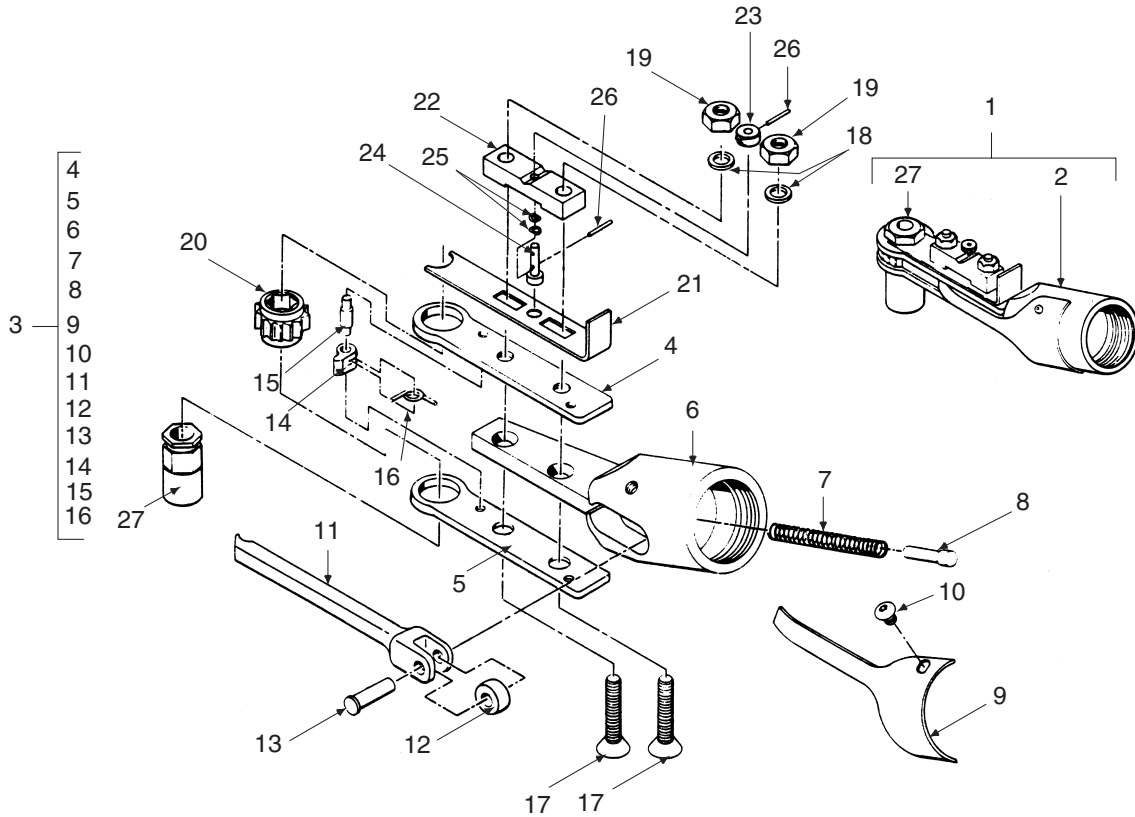
"M" SOCKET HEX (Matches Collar Driving Hex)	COMPLETE TOOL ASSY. PART NO.	RATCHET WRENCH ATTACHMENT ASSY. PART NO. (Ref.)	EXTENDED SOCKET ASSY. PART NO.
3/16	HLA2026-187( )	HLR333-187( )	HLS64-187( )
7/32	HLA2026-218( )	HLR333-218( )	HLS64-218( )
1/4	HLA2026-250( )	HLR333-250( )	HLS64-250( )
9/32	HLA2026-281( )	HLR333-281( )	HLS64-281( )
5/16	HLA2026-312( )	HLR333-312( )	HLS64-312( )
11/32	HLA2026-343( )	HLR333-343( )	HLS64-343( )

**SUPER HLA2026**  
**SMALL 20° OFFSET RATCHET WRENCH TOOL ASSY w/"Quick Change" Thru-Hex**  
**Extended Socket**



# HLR333

## Small 20° Offset Ratchet Wrench Attachment Assembly with "Quick Change" Thru-Hex Extended Socket



**TABLE 3**

**SOCKET**

HEX SIZE (Matches Collar Driving Hex)	PART NO.
3/16	HLS64-187( )
7/32	HLS64-218( )
1/4	HLS64-250( )
9/32	HLS64-281( )
5/16	HLS64-312( )
11/32	HLS64-343( )

ITEM	PART NO.	DESCRIPTION	QTY	ITEM	PART NO.	DESCRIPTION	QTY
1	HLR333-( ) ( )	Ratchet wrench attachment assy.	1	14	9D-6431	... Pawl	1
2	HLR333-437	. Ratchet attachment assy.	1	15	9D-6430	... Pin	1
3	502914	.. Ratchet attachment (not shown separately)	1	16	9D-5161	... Spring	1
4	9D-6433	... Sideplate, tapped	1	17	1/4-20 x 1" lg.	.. Screw, flat head socket cap 82°	2
5	9D-6434	... Sideplate, countersunk	1	18	AN960-416	.. Washer	2
6	502915	... Housing	1	19	C-101-D	.. Nut	2
7	9D-5163	... Spring	1	20	28009	.. Gear, socket	1
8	9D-5159	... Pin	1	21	HLB1352	.. Blade, retainer	1
9	15680	... Cover	1	22	HLB1353	.. Block, clamp	1
10	B-117-J	... Screw	2	23	960162	.. Pin, knob-lock	1
11	A-9D-6432	... Pushrod	1	24	960161	.. Pin, lock	1
12	9D-5162	... Roller	1	25	U125-0040-S	.. Washer, spring, curved	2
13	9D-5164	... Pin	1	26	98296-A-107	.. Pin, roll .062 dia x .375 lg.	2
				27	HLS64-( ) ( ) Table 3	.. Socket, extended	1

**HS TOOLING**

14083 S. Normandie Ave, Gardena CA 90249 USA  
800.482.4167 • fax 310.464.8545

**HLR333**

**Small 20° Offset Ratchet Wrench Attachment Assembly with "Quick Change" Thru-Hex Extended Socket**

**3060 rev —**