

HLR255

20° Offset Ratchet Wrench Attachment Assembly with Thin Flush Socket and Super-Key™ (T-Series)

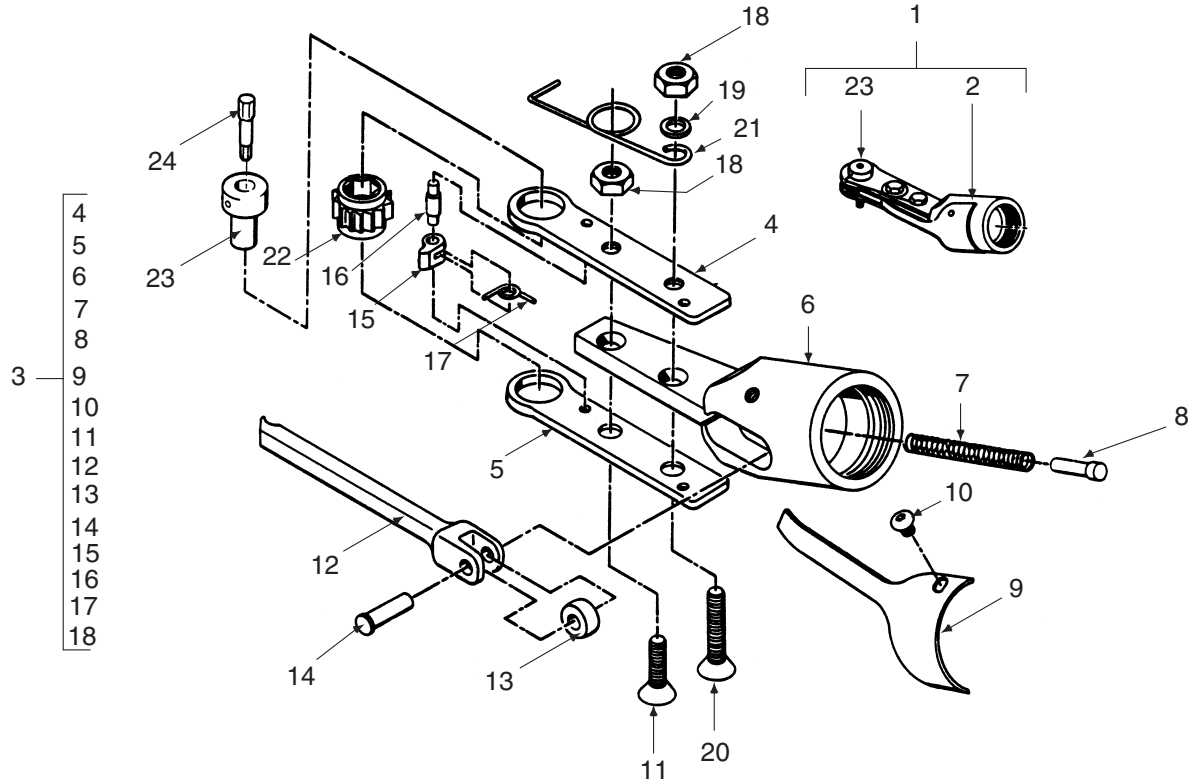


TABLE 2

SOCKET

HEX SIZE (Matches Collar Driving Hex)	PART NO.
3/16	537224
7/32	537225
1/4	28543
9/32	28544
5/16	28545
11/32	28547
3/8	28548
7/16	28550

TABLE 3

SUPER-KEY

HEX SIZE (Matches Pin Recess Hex)	PART NO.
1/16	HLT140K-062
5/64	HLT140K-078
3/32	HLT140K-094
1/8	HLT140K-125

ITEM	PART NO.	DESCRIPTION	QTY
1	HLR255-()-()T	Ratchet wrench attachment assy.	1
2	HLR258-()	. Ratchet attachment assy.	1
3	502914	.. Ratchet attachment sub-assy.	1
4	9D-6433	... Sideplate, tapped	1
5	9D-6434	... Sideplate, countersunk	1
6	502915	... Housing	1
7	9D-5163	... Spring	1
8	9D-5159	... Pin	1
9	15680	... Cover	1
10	B-117-J	... Screw	2
11	B-124-A	... Screw	1
12	A-9D-6432	... Pushrod	1
13	9D-5162	... Roller	1
14	9D-5164	... Pin	1
15	9D-6431	... Pawl	1
16	9D-6430	... Pin	1
17	9D-5161	... Spring	1
18	C-101-D	... Nut	2
19	AN960-416	.. Washer	1
20	1/4-20 UNC x 5/8 lg.	.. Screw, flat head socket cap	1
21	HLB-1474-3	.. Spring	1
22	Table 2	.. Socket	1
23	HLB138-()	.. Holder	1
24	HLT140K-() Table 3	... Super-Key	1

HS TOOLING

14083 S. Normandie Ave, Gardena CA 90249 USA
800.482.4167 • fax 310.464.8545

HLR255

20° Offset Ratchet Wrench Attachment Assy w/Thin Flush Socket & Super-Key™ (T-Series)