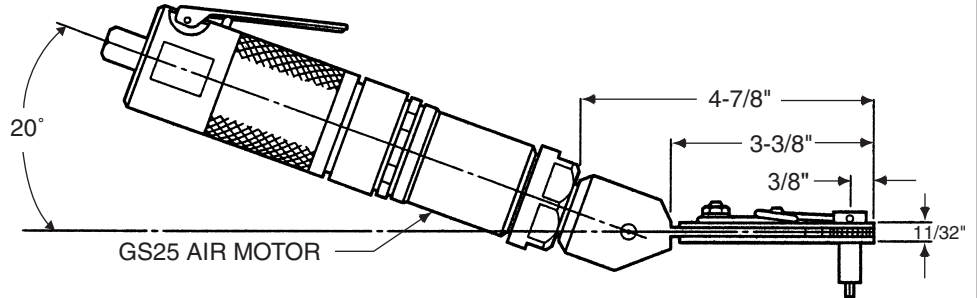
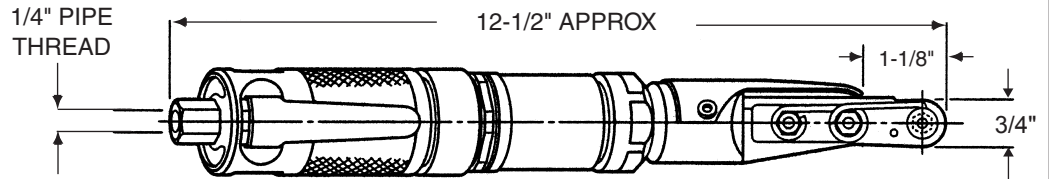
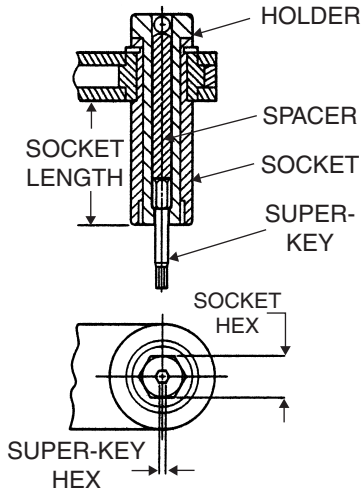


# INSTALLATION TOOLING SUPER HLA2075

Medium 20° Offset Ratchet Wrench Driver Assembly  
with Multi-length Socket and Super-Key™ (T-Series)



### TECHNICAL DATA

Operating Pressure .....	90 PSIA	Horsepower Rating .....	0.50
<b>MAX. TORQUE RATING</b> .....	220 in. lb (Motor) @ 90 PSIA	Air Consumption .....	22 SCFM
Socket Speed .....	250 RPM	Weight.....	2 lb

TABLE 1

COLLAR DRIVING HEX (Matches Socket Hex)	PIN RECESS HEX (Matches Super-Key Hex)	COMPLETE DRIVER ASSY. PART NO.	OFFSET ADAPTOR & SOCKET ASSY. PART NO.	EXTENDED SOCKET ASSY. PART NO.
3/16	1/16	HLA2075-187( )-062T	HLR206-187( )-062T	HLS78-187( )-062T
7/32		HLA2075-218( )-062T	HLR206-218( )-062T	HLS78-218( )-062T
1/4		HLA2075-250( )-062T	HLR206-250( )-062T	HLS78-250( )-062T
9/32		HLA2075-281( )-062T	HLR206-281( )-062T	HLS78-281( )-062T
5/16		HLA2075-312( )-062T	HLR206-312( )-062T	HLS78-312( )-062T
11/32		HLA2075-343( )-062T	HLR206-343( )-062T	HLS78-343( )-062T
7/32	5/64	HLA2075-218( )-078T	HLR206-218( )-078T	HLS78-218( )-078T
1/4		HLA2075-250( )-078T	HLR206-250( )-078T	HLS78-250( )-078T
9/32		HLA2075-281( )-078T	HLR206-281( )-078T	HLS78-281( )-078T
5/16		HLA2075-312( )-078T	HLR206-312( )-078T	HLS78-312( )-078T
11/32		HLA2075-343( )-078T	HLR206-343( )-078T	HLS78-343( )-078T
3/8		HLA2075-375( )-078T	HLR206-375( )-078T	HLS78-375( )-078T
5/16	3/32	HLA2075-312( )-094T	HLR206-312( )-094T	HLS78-312( )-094T
11/32		HLA2075-343( )-094T	HLR206-343( )-094T	HLS78-343( )-094T
3/8		HLA2075-375( )-094T	HLR206-375( )-094T	HLS78-375( )-094T
7/16		HLA2075-437( )-094T	HLR206-437( )-094T	HLS78-437( )-094T
		HLA2075-500( )-094T	HLR206-500( )-094T	HLS78-500( )-094T
		HLA2075-375( )-125T	HLR206-375( )-125T	HLS78-375( )-125T
	1/8	HLA2075-437( )-125T	HLR206-437( )-125T	HLS78-437( )-125T
		HLA2075-500( )-125T	HLR206-500( )-125T	HLS78-500( )-125T

TABLE 2

A = 0.50	E = 0.75	1/2
B = 1.00	F = 1.75	3/8
C = 1.50	X = 4.00	7/16
D = 2.00		1/2

DRIVER BASIC PART NO.

SOCKET HEX REF. TABLE 1

SOCKET LENGTH (REF TABLE 2)

SUPER-KEY HEX REF. TABLE 1.

SUPER-KEY ( T-SERIES)

**HLA2075-312 (A)-078T**

Example: complete driver assy. part no.

### ORDERING INFORMATION

- Match pin and collar hexes with Super-Key Hex and Socket Hex.
- See table 1 for corresponding complete driver assy part no.

**SUPER HLA2075  
MEDIUM 20° OFFSET RACHET WRENCH DRIVER ASSY w/Multi-Length Socket  
& Super-Key™ (T-Series)**



# HLR206

## Medium 20° Offset Ratchet Wrench Attachment Assembly with Multi-Length Socket and Super-Key™ (T-Series)

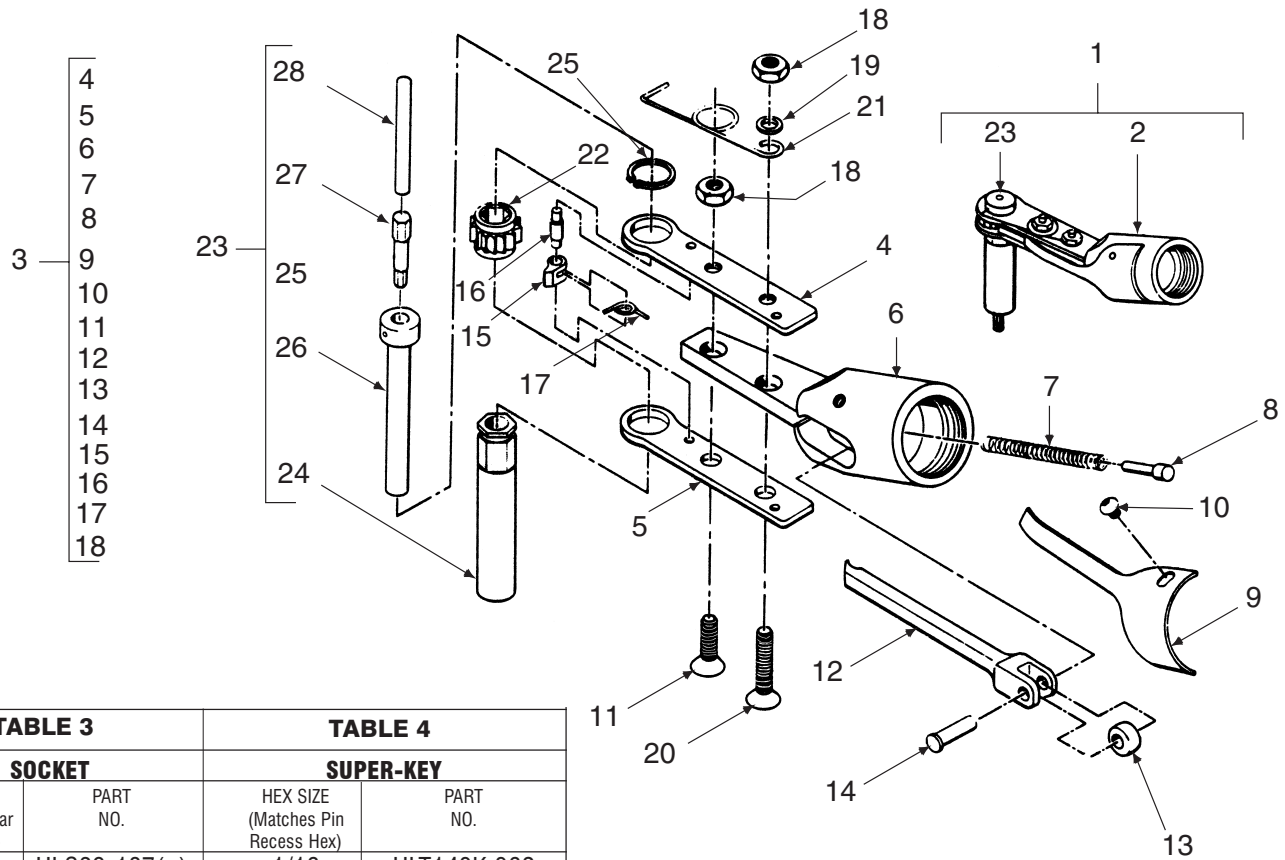


TABLE 3		TABLE 4	
SOCKET		SUPER-KEY	
HEX SIZE (Matches Collar Driving Hex)	PART NO.	HEX SIZE (Matches Pin Recess Hex)	PART NO.
3/16	HLS39-187( )	1/16	HLT140K-062
7/32	HLS39-218( )	5/64	HLT140K-078
1/4	HLS39-250( )	3/32	HLT140K-094
9/32	HLS39-281( )	1/8	HLT140K-125
5/16	HLS39-312( )		
11/32	HLS39-343( )		
3/8	HLS39-375( )		
7/16	HLS39-437( )		
1/2	HLS39-500( )		

ITEM	PART NO.	DESCRIPTION	QTY	ITEM	PART NO.	DESCRIPTION	QTY
1	HLR206-( ) ( )-( ) T	Ratchet wrench attachment assy.	1	15	9D-6431	... Pawl	1
2	HLR206-( )	. Ratchet attachment assy.	1	16	9D-6430	... Pin	1
3	502914	... Ratchet attachment sub-assy.	1	17	9D-5161	... Spring	1
4	9D-6433	... Sideplate, tapped	1	18	C-101-D	... Nut	2
5	9D-6434	... Sideplate, countersunk	1	19	AN960-416	.. Washer	1
6	502915	... Housing	1	20	1/4-20 x 1-3/4" lg.	.. Screw, flat head socket cap 82°	1
7	9D-5163	... Spring	1	21	HLB1474-3	.. Spring	1
8	9D-5159	... Pin	1	22	28550	.. Gear, socket	1
9	15680	... Cover	1	23	HLS78-( ) ( )-( ) T	. Socket assy., extended	1
10	B-117-J	... Screw	2	24	HLS39-( ) ( ) Table 3	.. Socket	1
11	B-124A	... Screw	1	25	5100-50	.. Retaining ring	1
12	A-9D-6432	... Pushrod	1	26	HLB1677-( ) ( )	.. Holder	1
13	9D-5162	... Roller	1	27	HLT140K-( ) Table 4	.. Super-Key	1
14	9D-5164	... Pin	1	28	HLB1616-( )	.. Spacer	1

HS TOOLING

14083 S. Normandie Ave, Gardena CA 90249 USA  
800.482.4167 • fax 310.464.8545

HLR206

MEDIUM 20° OFFSET RATCHET WRENCH ATTACHMENT ASSY w/Multi-Length Socket & Super-Key™ (T-Series)