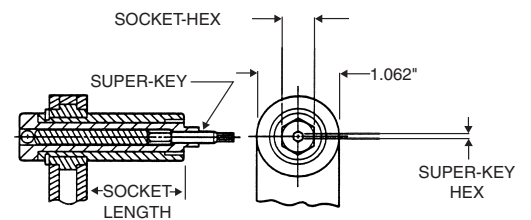
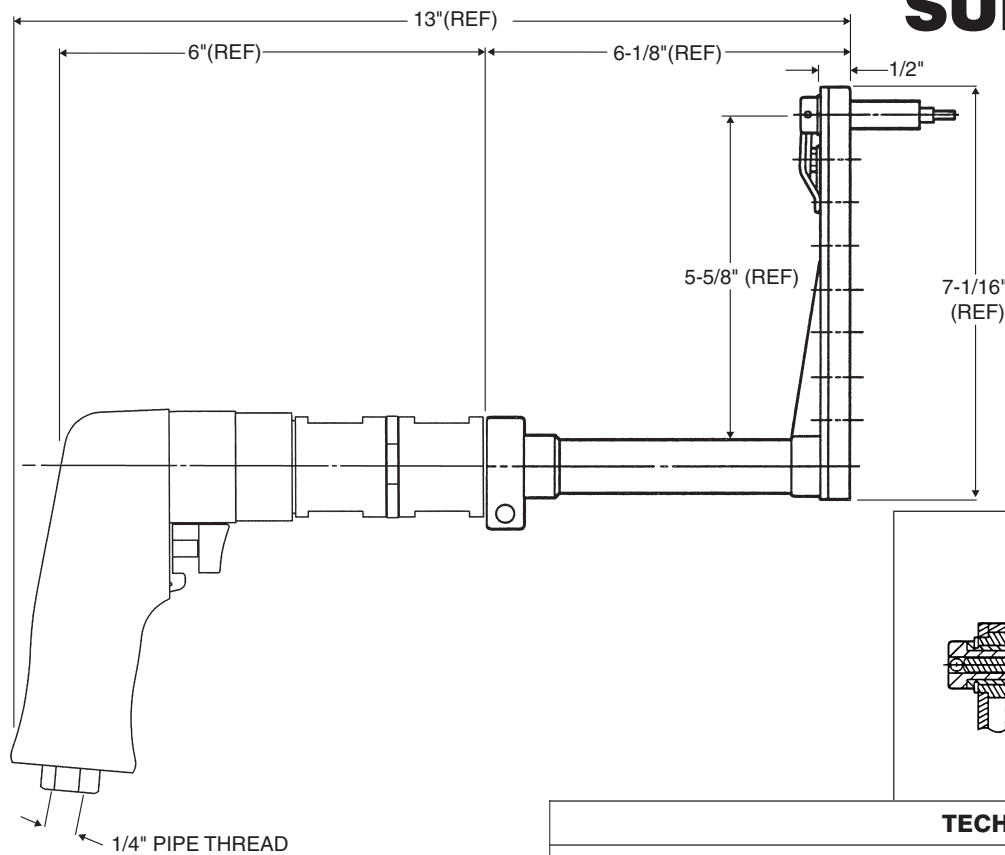


# INSTALLATION TOOLING

# SUPER HLA3025

**6 Inch Offset Driver Assembly  
with Multi-Length Socket  
and Super-Key™ (T-Series)**



HLS76- ( ) ( ) T SOCKET ASSY

### TECHNICAL DATA

Operating Pressure .....	90 PSIA	Horsepower Rating .....	0.70
<b>MAX. TORQUE RATING</b> .....	300 in. lb (Motor) @90 PSIA	Air Consumption .....	22 SCFM
Socket Speed .....	250 RPM	Weight .....	3.8 lb

**TABLE 1**

COLLAR DRIVING HEX (Matches Socket Hex)	PIN RECESS HEX (Matches Super-Key Hex)	COMPLETE DRIVER ASSY. PART NO.	OFFSET ADAPTOR & SOCKET ASSY. PART NO.	EXTENDED SOCKET ASSY. PART NO.	
3/16	1/16	HLA3025-187( )-062T	HLG331-187( )-062T	HLS76-187( )-062T	
7/32		HLA3025-218( )-062T	HLG331-218( )-062T	HLS76-218( )-062T	
1/4		HLA3025-250( )-062T	HLG331-250( )-062T	HLS76-250( )-062T	
9/32		HLA3025-281( )-062T	HLG331-281( )-062T	HLS76-281( )-062T	
5/16		HLA3025-312( )-062T	HLG331-312( )-062T	HLS76-312( )-062T	
11/32		HLA3025-343( )-062T	HLG331-343( )-062T	HLS76-343( )-062T	
7/32	5/64	HLA3025-218( )-078T	HLG331-218( )-078T	HLS76-218( )-078T	
1/4		HLA3025-250( )-078T	HLG331-250( )-078T	HLS76-250( )-078T	
9/32		HLA3025-281( )-078T	HLG331-281( )-078T	HLS76-281( )-078T	
5/16		HLA3025-312( )-078T	HLG331-312( )-078T	HLS76-312( )-078T	
11/32		HLA3025-343( )-078T	HLG331-343( )-078T	HLS76-343( )-078T	
3/8		HLA3025-375( )-078T	HLG331-375( )-078T	HLS76-375( )-078T	
5/16	3/32	HLA3025-312( )-094T	HLG331-312( )-094T	HLS76-312( )-094T	
11/32		HLA3025-343( )-094T	HLG331-343( )-094T	HLS76-343( )-094T	
3/8		HLA3025-375( )-094T	HLG331-375( )-094T	HLS76-375( )-094T	
7/16		HLA3025-437( )-094T	HLG331-437( )-094T	HLS76-437( )-094T	
3/8		1/8	HLA3025-375( )-125T	HLG331-375( )-125T	HLS76-375( )-125T
7/16			HLA3025-437( )-125T	HLG331-437( )-125T	HLS76-437( )-125T

**TABLE 2**

A = 0.50	E = 0.75
B = 1.00	F = 1.75
C = 1.50	X = 4.00
D = 2.00	

DRIVER BASIC PART NO.

SOCKET HEX (REF TABLE 1 OR 2)

SOCKET LENGTH CODE (REF TABLE 2)

SUPER-KEY HEX (REF TABLE 1 OR 2)

SUPER-KEY (T-SERIES)

**HLA3025-312(A)-078-T**

Example: complete driver assy part no.

### ORDERING INFORMATION

- Match pin and collar hexes with Super-Key Hex and Socket Hex.
- See table 1 for corresponding complete driver assy part no.

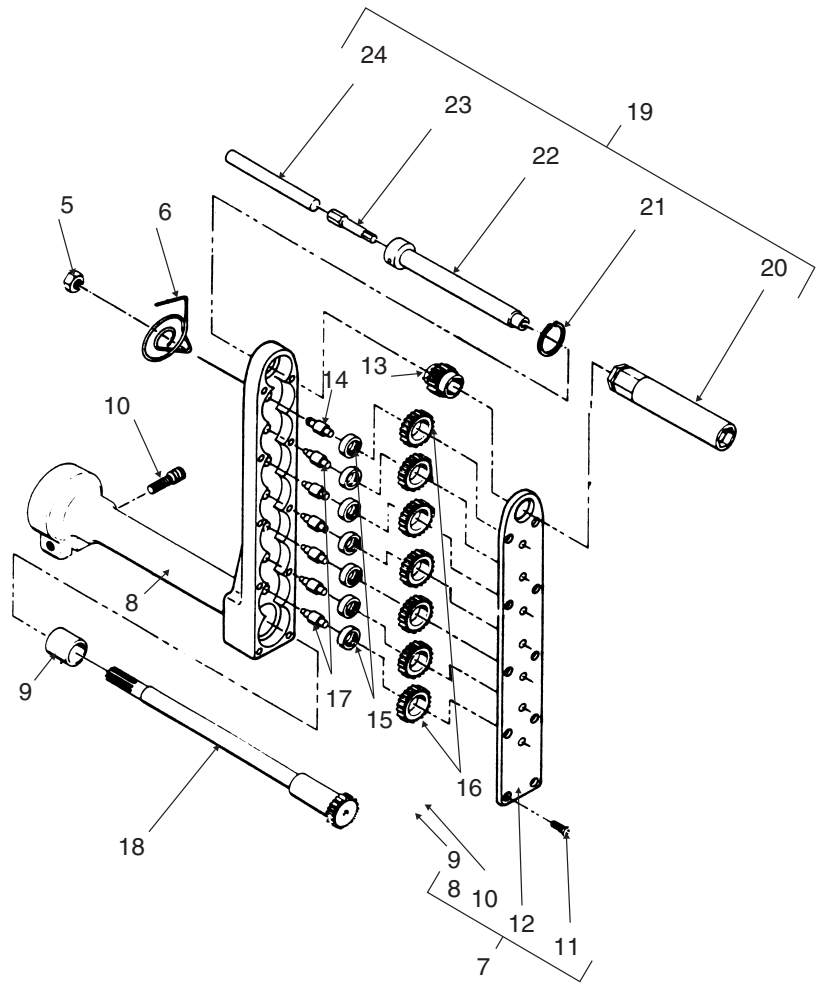
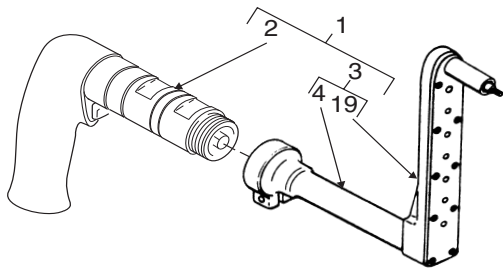
**SUPER HLA3025  
6" OFFSET DRIVER ASSEMBLY w/Multi-Length Socket & Super-Key™ (T-series)**



3031 rev —

# HLG331

## 6 Inch Offset Adaptor Assembly with Multi-Length Socket and Super-Key™ (T-Series)



**TABLE 3**

**SOCKET GEAR**

HEX SIZE (Matches Collar Driving Hex)	PART NO.
3/16	HLS47-187( )
7/32	HLS47-218( )
1/4	HLS47-250( )
9/32	HLS47-281( )
5/16	HLS47-312( )
11/32	HLS47-343( )
3/8	HLS47-375( )
7/16	HLS47-437( )

**TABLE 4**

**SUPER-KEY**

HEX SIZE (Matches Pin Recess Hex)	PART
1/16	HLT140K-062
5/64	HLT140K-078
3/32	HLT140K-094
1/8	HLT140K-125

ITEM	PART NO.	DESCRIPTION	QTY
1	HLA3025-( ) ( )-( ) T	Tool Assy., complete	1
2	HLB1174-003	. Air motor Assy.	1
3	HLG331-( ) ( )-( ) T	. Offset adaptor and socket Assy.	1
4	HLB332	.. Offset adaptor Assy.	1
5	AN364-632C	... Nut, hex	1
6	HLB1475-5	... Spring, ejector	1
7	HLB1571	... Housing Assy., complete	1
8	HLB1572	.... Housing sub-assy.	1
9	B810	..... Bushing	1
10	1/4-28 x 5/8 lg.	.... Capscrew, socket head	1
11	6-32 x 3/8 lg.	.... Screw, countersunk-82°	10
12	HLB1573	.... Plate, cover	1
13	HLB23-437	... Gear, socket, 7/16 thru hex	1
14	HLB105	... Shaft, intermediate, no. 2	1
15	B34	... Bearing (Torrington)	7
16	HLB106-11	... Gear, intermediate	7
17	HLB159	... Gear, intermediate, no. 1	6
18	HLB103-5	... Gear, drive	2
19	HLS76-( ) ( )-( )	.. Socket Assy., extended	1
20	HLS47-( ) ( ) <b>Table 3</b>	... Socket	1
21	5100-50	... Ring, retaining	1
22	HLB1665-( ) ( )	... Holder	1
23	HLT140K-( ) <b>Table 4</b>	... Super-Key	1
24	HLB1616-( )	... Spacer	1

**HS TOOLING**

14083 S. Normandie Ave, Gardena CA 90249 USA  
800.482.4167 • fax 310.464.8545

**HLG331**

**6 INCH OFFSET ADAPTOR ASSEMBLY with Multi-Length Socket and Super-Key™ (T-Series)**