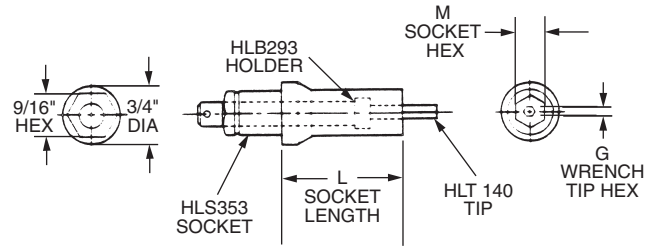
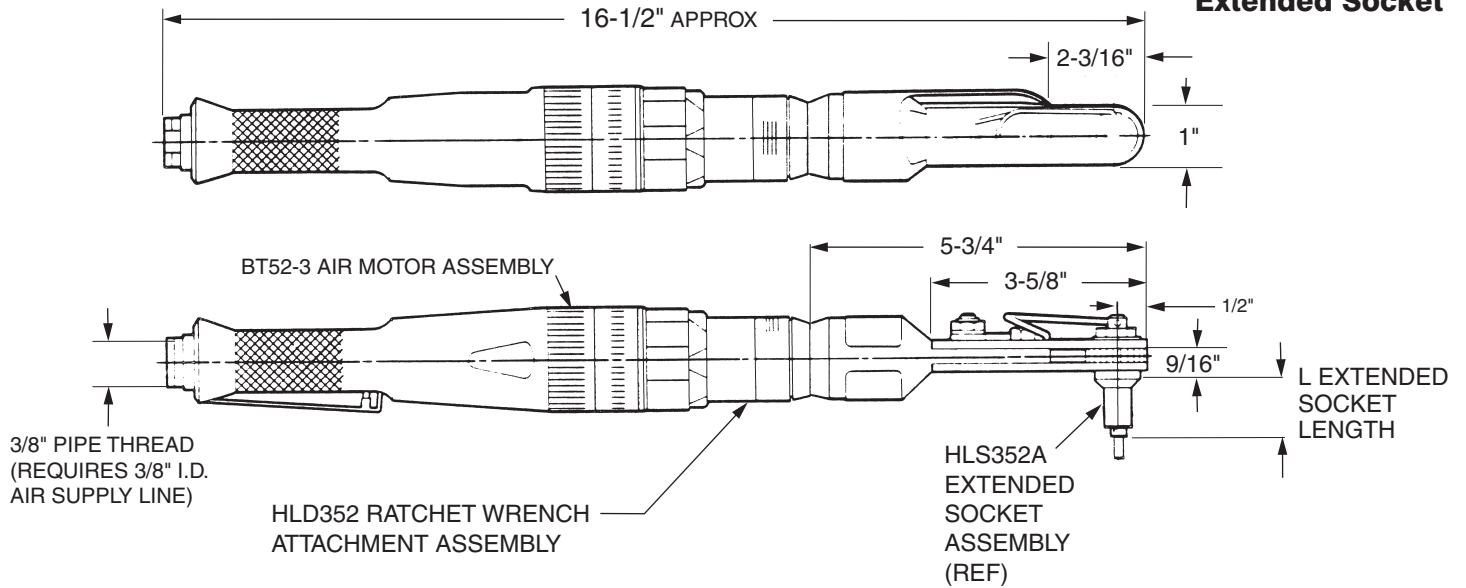


INSTALLATION TOOLING

HLA3502

Large Straight Ratchet Wrench Tool Assembly with Extended Socket



HLS352A EXTENDED SOCKET ASSY

TECHNICAL DATA

Operating Pressure	90 PSIA	Horsepower Rating	0.50
MAX. TORQUE RATING	300 in. lb (Motor) @ 90 PSIA	Air Consumption	22 SCFM
Socket Speed	250 RPM	Weight	2 lb

TABLE 1

COLLAR DRIVING HEX (Matches Socket Hex)	PIN RECESS HEX (Matches Super-Key Hex)	COMPLETE DRIVER ASSY. PART NO.	OFFSET ADAPTOR & SOCKET ASSY. PART NO.	EXTENDED SOCKET ASSY. PART NO.
7/16	1/8	HLA3502-437()-125T	HLD352-437()-125T	HLS352A-437()-125T
1/2		HLA3502-500()-125T	HLD352-500()-125T	HLS352A-500()-125T
9/16		HLA3502-562()-125T	HLD352-562()-125T	HLS352A-562()-125T
5/8		HLA3502-625()-125T	HLD352-625()-125T	HLS352A-625()-125T
11/16		HLA3502-687()-125T	HLD352-687()-125T	HLS352A-687()-125T
7/16	5/32	HLA3502-437()-156T	HLD352-437()-156T	HLS352A-437()-156T
A = 0.50		HLA3502-500()-156T	HLD352-500()-156T	HLS352A-500()-156T
B = 1.00		HLA3502-562()-156T	HLD352-562()-156T	HLS352A-562()-156T
C = 1.50		HLA3502-625()-156T	HLD352-625()-156T	HLS352A-625()-156T
D = 2.00		HLA3502-687()-156T	HLD352-687()-156T	HLS352A-687()-156T

TABLE 2

A = 0.50	E = 0.75	1/2
B = 1.00	F = 1.75	9/16
C = 1.50	X = 4.00	5/8
D = 2.00		11/16

DRIVER BASIC PART NO.

SOCKET HEX REF. TABLE 1

SOCKET LENGTH (REF TABLE 2)

SUPER-KEY HEX REF. TABLE 1.

SUPER-KEY (T-SERIES)

HLA 3502 - 437 (C) - 156 T

Example: complete driver assy. part no.

ORDERING INFORMATION

- Match pin and collar hexes with Super-Key Hex and Socket Hex.
- See table 1 for corresponding complete driver assy part no.

HLD352

Large Straight Ratchet Wrench Attachment Assembly with Extended Socket

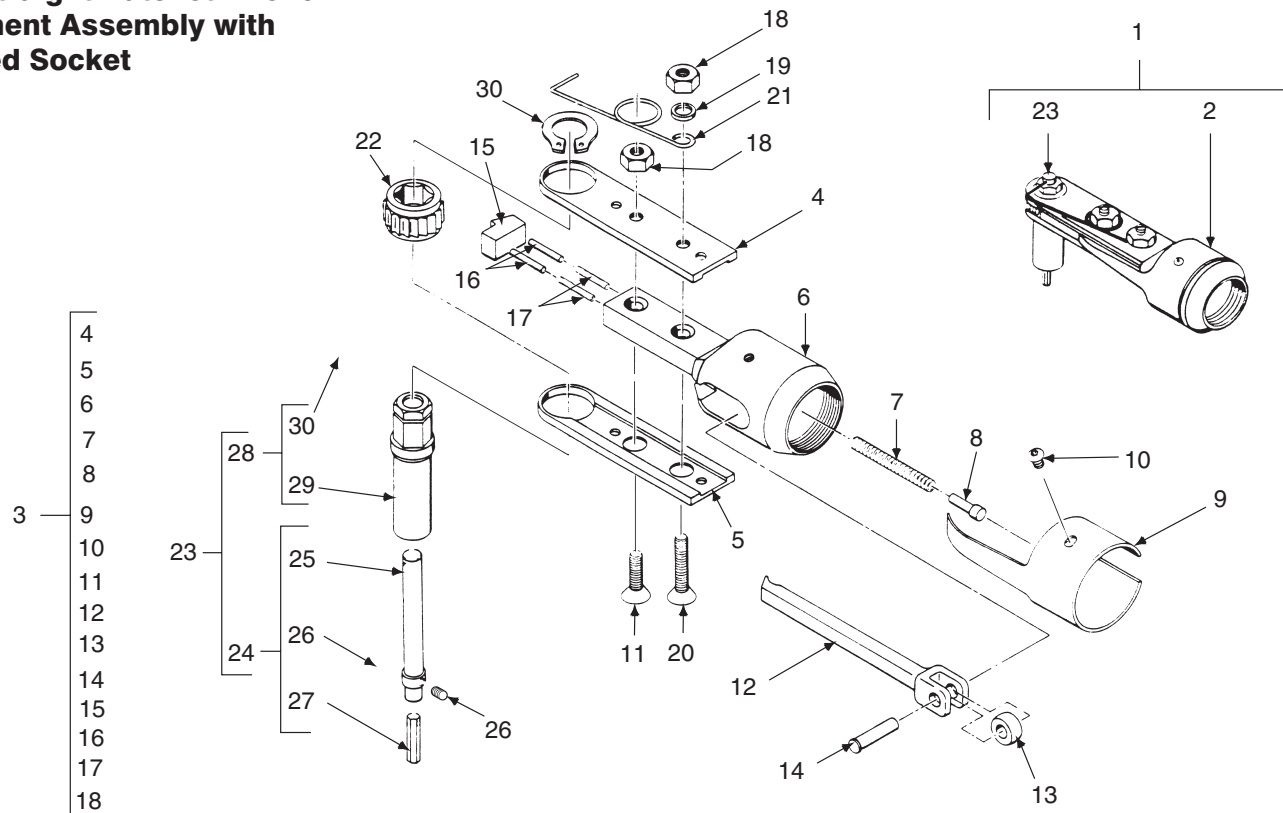


TABLE 3

TABLE 4

SOCKET

WRENCH TIP

HEX SIZE (Matches Collar Driving Hex)	PART NO.	HEX SIZE (Matches Pin Recess Hex)	PART NO.
7/16	HLS353-437()	1/8	HLT140-125
1/2	HLS353-500()	5/32	HLT140-156
9/16	HLS353-562()		
5/8	HLS353-625()		
11/16	HLS353-687()		

ITEM	PART NO.	DESCRIPTION	QTY	ITEM	PART NO.	DESCRIPTION	QTY
1	HLD352-() ()-()T	Ratchet wrench attachment assy.	1	16	80G-220	... Pin	2
2	HLR352	. Ratchet attachment assy.	1	17	9D-6089	... Spring	2
3	AA-9D-6096-16	... Ratchet attachment sub-assy.	1	18	C-101-D	... Nut	2
4	9D-6229	... Sideplate, tapped	1	19	AN960-416	.. Washer	1
5	9D-6230	... Sideplate, countersunk	1	20	1/4-20 x 1" lg.	.. Screw, flat head socket cap 82°	1
6	A-9D-6096	... Housing	1	21	HLB1474-9	.. Spring	1
7	9D-2582	... Spring	1	22	28066	.. Gear, socket	1
8	9D-5159	... Pin	1	23	HLS352A-() ()-()T	. Socket assy., extended	1
9	9D-5170	... Cover	1	24	HLW352-() ()-()	.. Holder assy., wrench tip	1
10	B-117-J	... Screw	2	25	HLB293-() ()-()	... Holder	1
11	B-123-X	... Screw	1	26	5-40 x 1/8 lg.	... Set screw	1
12	A-27415	... Pushrod	1	27	HLT140-() Table 4	... wrench tip	1
13	9D-2545	... Roller	1	28	HLS352-() ()	.. Socket assy.	1
14	9D-2725	... Pin	1	29	HLS353-() () Table 3	... Socket	1
15	27278	... Pawl	1	30	5103-56	... Retaining ring	1

HS TOOLING

14083 S. Normandie Ave, Gardena CA 90249 USA
800.482.4167 • fax 310.464.8545

HLD352

LARGE STRAIGHT RATCHET WRENCH ATTACHMENT ASSY w/Extended Socket