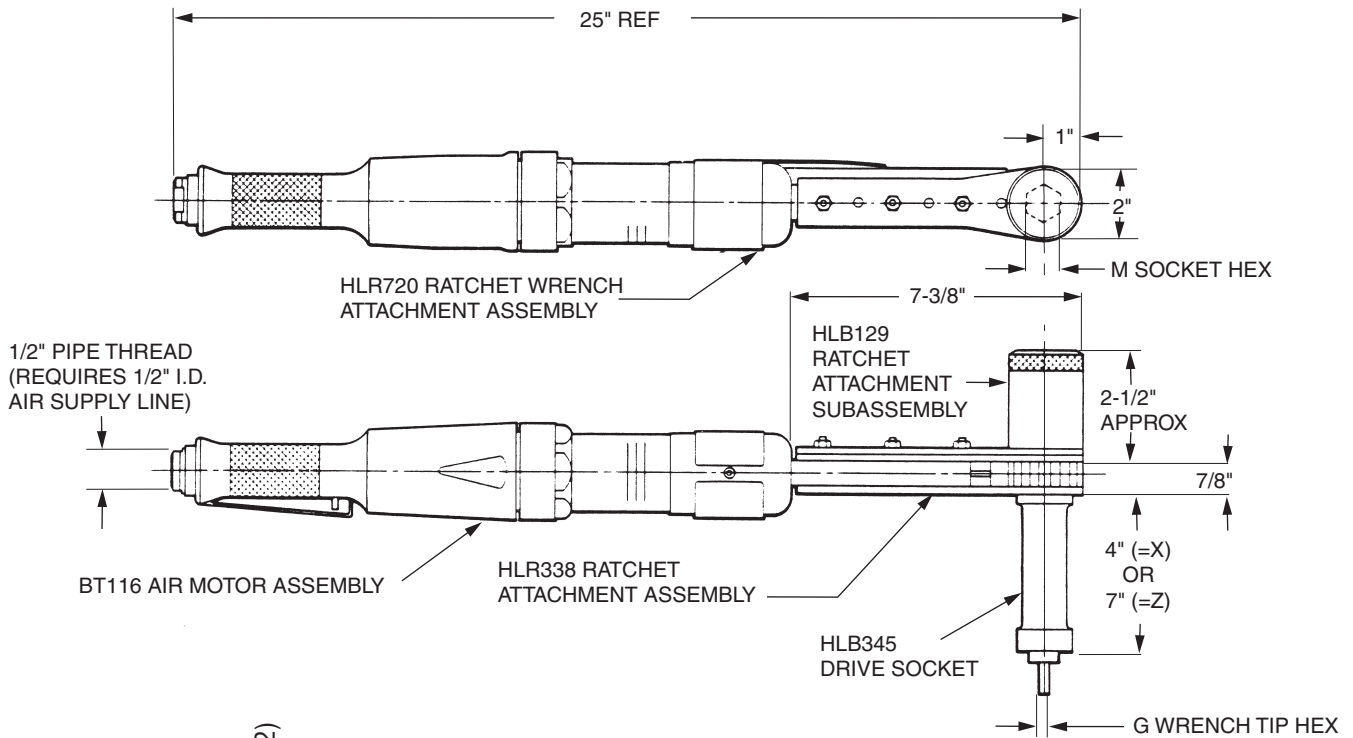


# HLA7020

## Large Straight Heavy Duty Ratchet Wrench Tool Assembly with Extended Socket



### TECHNICAL DATA

Operating Pressure .....	90 PSIA	Horsepower Rating .....	2.70
<b>MAX. TORQUE RATING</b> .....	185 ft. lb (Motor) @90 PSIA	Air Consumption .....	55 CFM
Socket Speed .....	75 RPM	Weight .....	15 lb

TABLE 1

"M" SOCKET DRIVING HEX (Matches Socket Hex)	"G" WRENCH RECESS HEX (Matches Super-Key Hex)	COMPLETE TOOL ASSY. PART NO.	RATCHET WRENCH ATTACHMENT ASSY. PPART NO. (REF.)	EXTENDED SOCKET PART NO.	ATTACHMENT ASSY. PART NO. (REF.)	SOCKET LENGTH inches
1/2	5/32	HLA7020-500X-156	HLR720-500X-156	HLB345-500X	HLB129-500X-156	4
5/8		HLA7020-625X-156	HLR720-625X-156	HLB345-625X	HLB129-625X-156	
9/16	3/16	HLA7020-562X-187	HLR720-562X-187	HLB345-562X	HLB129-562X-187	
3/4		HLA7020-750X-187	HLR720-750X-187	HLB345-750X	HLB129-750X-187	
11/16	7/32	HLA7020-687X-218	HLR720-687X-218	HLB345-687X	HLB129-687X-218	
7/8		HLA7020-875X-218	HLR720-875X-218	HLB345-875X	HLB129-875X-218	
7/8	1/4	HLA7020-875X-250	HLR720-875X-250	HLB345-875X	HLB129-875X-250	7
1/2	5/32	HLA7020-500Z-156	HLR720-500Z-156	HLB345-500Z	HLB129-500Z-156	
3/4	3/16	HLA7020-750Z-187	HLR720-750Z-187	HLB345-750Z	HLB129-750Z-187	
7/8	7/32	HLA7020-875Z-218	HLR720-875Z-218	HLB345-875Z	HLB129-875Z-218	
7/8	1/4	HLA7020-875Z-250	HLR720-875Z-250	HLB345-875Z	HLB129-875Z-250	
1.0		HLA7020-1000Z-250	HLR720-1000Z-250	HLB345-1000Z	HLB129-1000Z-250	
1-1/8	5/16	HLA7020-1125Z-312	HLR720-1125Z-312	HLB345-1125Z	HLB129-1125Z-312	

DRIVER BASIC PART NO.

"M" SOCKET HEX REF. TABLE 1

EXTENDED SOCKET LENGTH (REF TABLE 2)

"G" WRENCH TIP HEX REF. TABLE 1

**HLA7020 - 625 (X) - 156**

Example: complete driver assy. part no.

### ORDERING INFORMATION

- Determine collar driving hex and pin recess hex dimensions of the fasteners to be installed.
- See table 1 for "M" socket hex & "G" wrench tip combo to match collar and pin dimensions. Determine complete tool assembly part no.
- See table 2 for "L" extended socket length

# HLR720

## Large Straight Heavy Duty Ratchet Wrench Attachment Assembly with Extended Socket

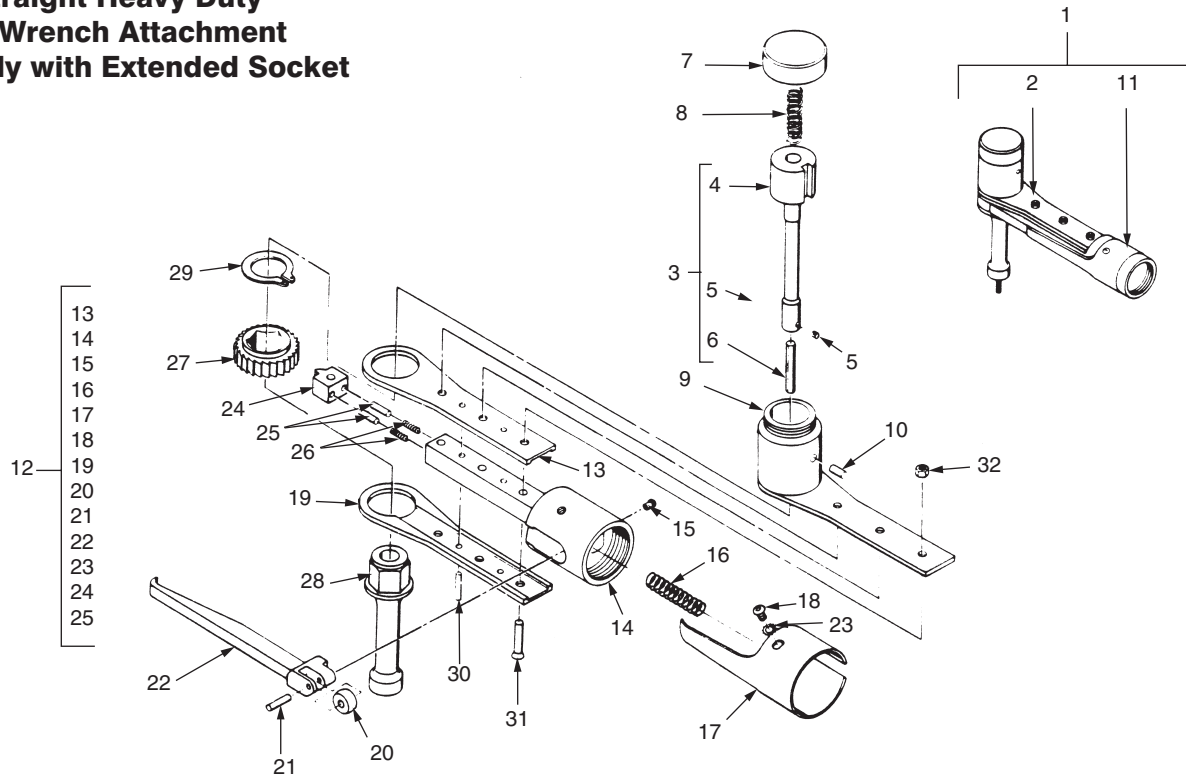


TABLE 3			TABLE 4	
SOCKET GEAR			WRENCH TIP	
HEX SIZE (Matches Collar Driving Hex)	PART NO.		HEX SIZE (Matches Pin Recess Hex)	PART NO.
	4" lg.	7" lg.		
1/2	HLB345-500X	HLB345-500Z	5/32	HLT540-156
9/16	HLB345-562X	HLB345-562Z	3/16	HLT540-187
5/8	HLB345-625X	HLB345-625Z	7/32	HLT540-218
3/4	HLB345-750X	HLB345-750Z	1/4	HLT540-250
11/16	HLB345-687X	HLB345-687Z	5/16	HLT540-312
7/8	HLB345-875X	HLB345-875Z		
1.0	HLB345-1000X	HLB345-1000Z		
1-1/8	HLB345-1125X	HLB345-1125Z		

ITEM	PART NO.	DESCRIPTION	QTY	ITEM	PART NO.	DESCRIPTION	QTY
1	HLR720-( )-( )-( )	Attachment assy., ratchet wrench	1	17	26679	... Coverplate	1
2	HLB129-( )-( )-( )	. Attachment sub-assy.	1	18	B-108-H	... Screw, coverplate	2
3	HLB94-( )-( )-( )	... Holder assy., wrench tip	1	19	27499-32	... Sideplate, countersunk	1
4	HLB53-( )-( )-( )	... Holder	1	20	26672	... Roller	1
5	HLB60-( )-( )-( )	... Set screw	1	21	DP-126	... Pin	1
6	HLT540-( ) Table 4	... Tip, wrench	1	22	A-27626	... Pushrod	1
7	HLB15	.. Cap, retainer	1	23	W-142	... Washer	2
8	HLB16	.. Spring, #24	1	24	26674	... Pawl	1
9	HLB17	.. Housing assy.	1	25	DP-105	... Pin	2
10	59-048-219-0562	.. Pin, roll (ESNA or equiv.)	1	26	26683	... Spring	2
11	HLR338-( )-( )-( )	. Attachment assy., ratchet	1	27	29051	.. Gear, socket	1
12	AA-26680-32	.. Attachment, ratchet	1	28	HLB345-( )-( ) Table 3	.. Socket, drive	1
13	277500-32	... Sideplate, tapped	1	29	5100-112	.. Ring, retaining	1
14	A-26680	... Housing	1	30	DP-106	.. Pin	2
15	13731	... Fitting, grease	1	31	1/4-20 x 1.25 lg.	.. Screw, flathead socket, 82°	3
16	26682	... Spring	1	32	1/4-20	.. Nut, hex, jam	3

HS TOOLING

14083 S. Normandie Ave, Gardena CA 90249 USA  
800.482.4167 • fax 310.464.8545

HLR720

LARGE STRAIGHT HEAVY DUTY

RATCHET WRENCH ATTACHMENT ASSEMBLY with Extended Socket

3086

rev —