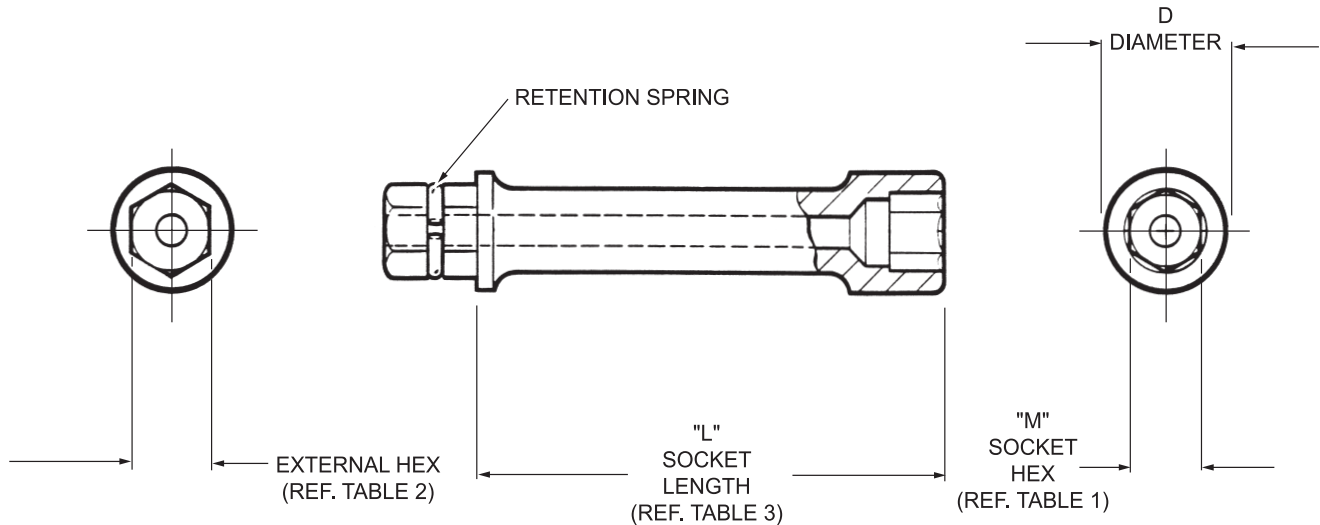


HLS25

Extended Socket Assembly
for use with HLA Thru-Hex Ratchet Wrenches



BASIC PART NO.

EXTERNAL HEX OF SOCKET (REF TABLE 2)

"M" SOCKET HEX TO MATCH COLLAR DRIVING HEX (REF. TABLE 1)

"L" SOCKET LENGTH (REF. TABLE 3)

HLS25M-218G

Example 1: complete socket assy. part no.

ORDERING INFORMATION

1. Determine collar driving hex of the fasteners to be installed.
2. See Table 1 for "M" socket hex to match collar driving hex dimension.
3. Determine the thru-hex size of the HLA ratchet wrench being used.
4. See Table 2 for a socket external hex code to match the HLA ratchet thru-hex dimension.
5. See Table 3 for proper code letter representing desired "L" extended socket length.
6. See example of Complete Socket Assembly Part No.
7. This extended socket is for installing HST/HL/HLT Collars on interference fit or non interference fit HST/HL/HLT Pins.

TABLE 1

| "M" SOCKET HEX (Matches Collar Driving Hex) | COMPLETE SOCKET ASSY. PART NO. | D DIAMETER |
|---|--------------------------------|------------|
| 7/32 | HLS25()-218() | 0.438 |
| 1/4 | HLS25()-250() | |
| 5/16 | HLS25()-312() | 0.500 |
| 11/32 | HLS25P-343() | |
| 3/8 | HLS25P-375() | 0.562 |
| 7/16 | HLSS25P-437() | 0.625 |

TABLE 2

| CODE | SOCKET EXT. HEX |
|------|-----------------|
| M | 11/32 |
| P | 7/16 |

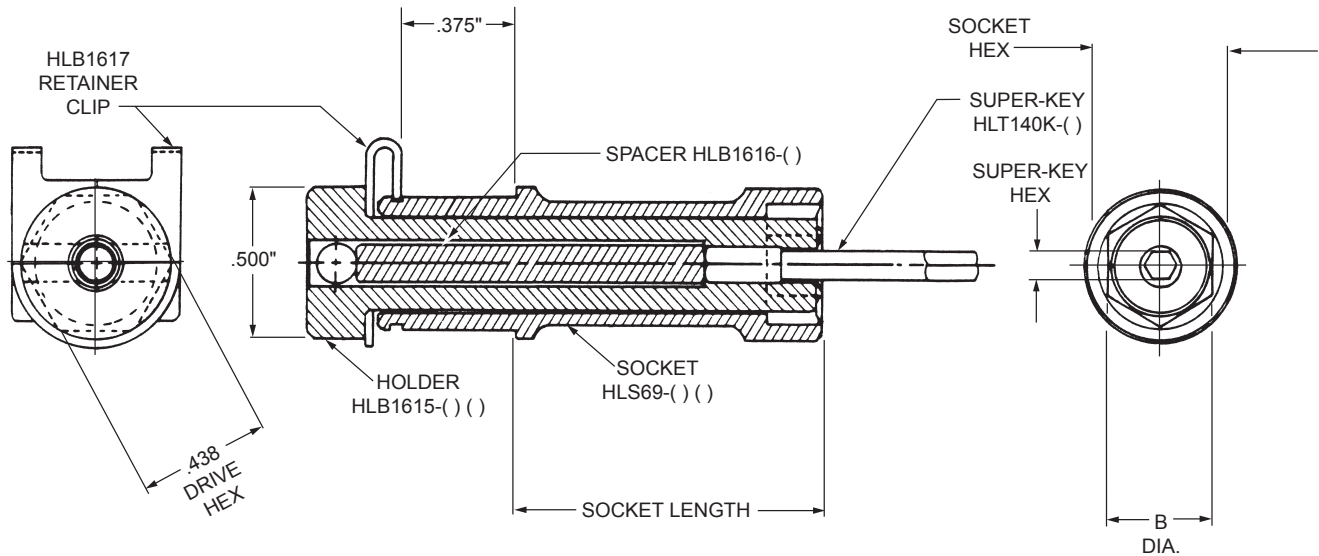
TABLE 3

| CODE | "L" EXT. SOCKET LENGTH |
|------|------------------------|
| B | 1.00 |
| G | 1.25 |
| F | 1.75 |

INSTALLATION TOOLING

HLS30

Multi-Length Socket Assembly with Super-Key™ (T-Series)



ORDERING INFORMATION

1. Match pin and collar hexes with Super-Key Hex and Socket Hex.
2. See table 1 for corresponding complete socket assembly part no.

SOCKET ASSY BASIC PART NO.

SOCKET HEX (REF. TABLE 1)

SOCKET LENGTH CODE (REF. TABLE 2)

SUPER-KEY (REF. TABLE 1)

HLS 30-312(B)-078

Example 1: complete socket assembly part no.

TABLE 2

| |
|----------|
| B = 1.00 |
| C = 1.50 |
| D = 2.00 |

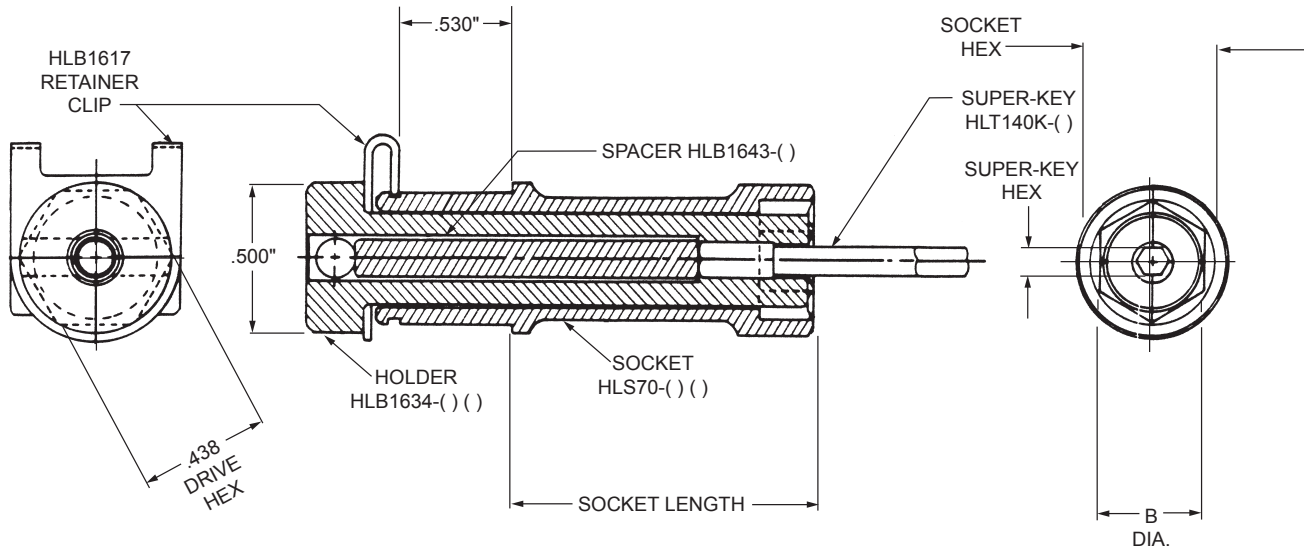
TABLE 1

| COLLAR DRIVING HEX (Matches Socket Hex) | PIN RECESS HEX (Matches Super-Key Hex) | COMPLETE SOCKET ASSY. PART NO. | SOCKET PART NO. | SUPER-KEY HOLDER PART NO. | SUPER-KEY PART NO. | SUPER-KEY SPACER PART NO. | B DIA. | | |
|---|--|--------------------------------|------------------|---------------------------|--------------------|---------------------------|----------------|-------------|------|
| 7/32 | 1/16 | HLS30-218()-062 | HLS69-218() | HLB1615-218() | HLT140K-062 | HLB1616(-) | .356 | | |
| 1/4 | | HLS30-250()-062 | HLS69-250() | HLB1615-250() | | | .397 | | |
| 9/32 | | HLS30-281()-062 | HLS69-281() | HLB1615-281() | | | .438 | | |
| 5/16 | | HLS30-312()-062 | HLS69-312() | HLB1615-312() | | | .460 | | |
| 11/32 | 5/64 | HLS30-343()-062 | HLS69-343() | HLB1615-343() | HLT140K-078 | | .500 | | |
| 1/4 | | HLS30-250()-078 | HLS69-250() | HLB1615-250() | | | .397 | | |
| 9/32 | | HLS30-281()-078 | HLS69-281() | HLB1615-281() | | | .438 | | |
| 5/16 | | HLS30-312()-078 | HLS69-312() | HLB1615-312() | | | .460 | | |
| 11/32 | | HLS30-343()-078 | HLS69-343() | HLB1615-343() | | | .500 | | |
| 3/8 | | HLS30-375()-078 | HLS69-375() | HLB1615-375() | | | .562 | | |
| 5/16 | | 3/32 | HLS30-312()-094 | HLS69-312() | | | HLB1615-312() | HLT140K-094 | .460 |
| 11/32 | | | HLS30-343()-094 | HLS69-343() | | | HLB1615-343() | | .500 |
| 3/8 | HLS30-375()-094 | | HLS69-375() | HLB1615-375() | .562 | | | | |
| 7/16 | HLS30-437()-094 | | HLS69-437() | HLB1615-437() | .600 | | | | |

INSTALLATION TOOLING

SUPER HLS31

Multi-Length Socket Assembly with Super-Key™ (T-Series)



ORDERING INFORMATION

1. Match pin and collar hexes with Super-Key Hex and Socket Hex.
2. See table 1 for corresponding complete driver Assy part no.

SOCKET ASSY BASIC PART NO.
 SOCKET HEX (REF. TABLE 1)
 SOCKET LENGTH CODE (REF. TABLE 2)
 SUPER-KEY (REF. TABLE 1)

HLS31-312(B)-078

Example 1: complete socket assy. part no.

TABLE 2

B = 1.00
 C = 1.50
 D = 2.00

TABLE 1

| COLLAR DRIVING HEX (Matches Socket Hex) | PIN RECESS HEX (Matches Super-Key Hex) | COMPLETE SOCKET ASSY. PART NO. | SOCKET PART NO. | SUPER-KEY HOLDER PART NO. | SUPER-KEY PART NO. | SUPER-KEY SPACER PART NO. | B DIA. |
|---|--|--------------------------------|-----------------|---------------------------|--------------------|---------------------------|--------|
| 7/32 | 1/16 | HLS31-218()-062 | HLS70-218() | HLB1634-218() | HLT140K-062 | HLB1643() | .356 |
| 1/4 | | HLS31-250()-062 | HLS70-250() | HLB1634-250() | | | .397 |
| 9/32 | | HLS31-281()-062 | HLS70-281() | HLB1634-281() | | | .438 |
| 5/16 | | HLS31-312()-062 | HLS70-312() | HLB1634-312() | | | .460 |
| 11/32 | | HLS31-343()-062 | HLS70-343() | HLB1634-343() | | | .500 |
| 1/4 | 5/64 | HLS31-250()-078 | HLS70-250() | HLB1634-250() | HLT140K-078 | HLB1643() | .397 |
| 9/32 | | HLS31-281()-078 | HLS70-281() | HLB1634-281() | | | .438 |
| 5/16 | | HLS31-312()-078 | HLS70-312() | HLB1634-312() | | | .460 |
| 11/32 | | HLS31-343()-078 | HLS70-343() | HLB1634-343() | | | .500 |
| 3/8 | | HLS31-375()-078 | HLS70-375() | HLB1634-375() | | | .562 |
| 5/16 | 3/32 | HLS31-312()-094 | HLS70-312() | HLB1634-312() | HLT140K-094 | HLB1643() | .460 |
| 11/32 | | HLS31-343()-094 | HLS70-343() | HLB1634-343() | | | .500 |
| 3/8 | | HLS31-375()-094 | HLS70-375() | HLB1634-375() | | | .562 |
| 7/16 | | HLS31-437()-094 | HLS70-437() | HLB1634-437() | | | .600 |

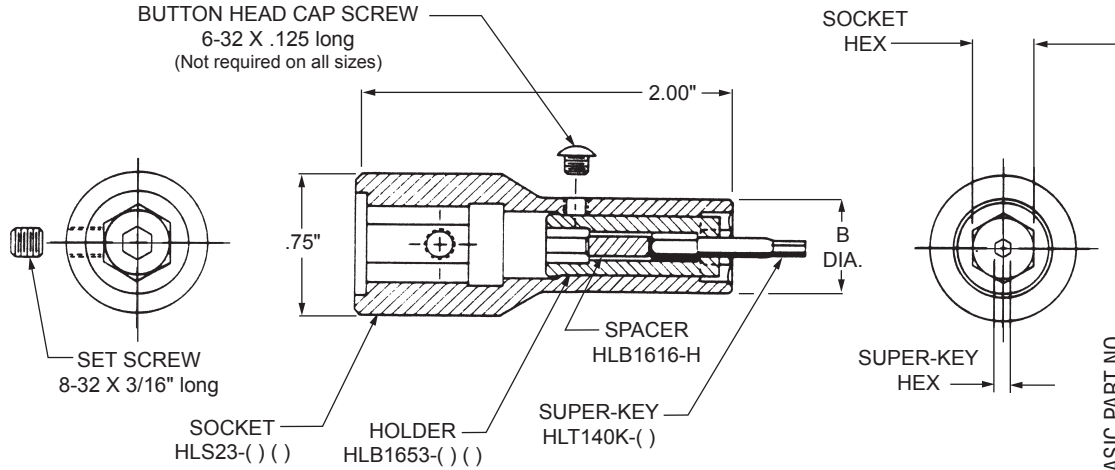
**SUPER HLS80
 MULTI-LENGTH SOCKET ASSEMBLY
 with Super-Key™ (T-Series)**



INSTALLATION TOOLING

SUPER HLS79

2" Extended Socket Assembly with Super-Key™ (T-Series)



ORDERING INFORMATION

1. Match pin and collar hexes with Super-Key Hex and Socket Hex.
2. See table 1 for corresponding complete driver Assy part no.

2" SOCKET ASSY BASIC PART NO.
HLS 79-312-078T
 Example 1: complete socket assy. part no.

SOCKET HEX (REF. TABLE 1)
 SUPER-KEY HEX (REF. TABLE 1)
 SUPER-KEY (T-SERIES)

TABLE 1

| COLLAR DRIVING HEX (Matches Socket Hex) | PIN RECESS HEX (Matches Super-Key Hex) | COMPLETE SOCKET ASSY. PART NO. | SOCKET PART NO. | SUPER-KEY HOLDER PART NO. | SUPER-KEY PART NO. | SUPER-KEY SPACER PART NO. | B DIA. |
|---|--|--------------------------------|-----------------|---------------------------|--------------------|---------------------------|--------|
| 7/32 | 1/16 | HLS79-218-062T | HLS23-218 | HLB1653-218 | HLT140K-062 | HLB1616-H | .375 |
| 1/4 | | HLS79-250-062T | HLS23-250 | HLB1653-250 | | | .468 |
| 9/32 | | HLS79-281-062T | HLS23-281 | HLB1653-281 | | | .468 |
| 5/16 | | HLS79-312-062T | HLS23-312 | HLB1653-312 | | | .500 |
| 11/32 | 5/64 | HLS79-343-062T | HLS23-343 | HLB1653-343 | HLT140K-078 | | .500 |
| 7/32 | | HLS79-218-078T | HLS23-218 | HLB1653-218 | | | .375 |
| 1/4 | | HLS79-250-078T | HLS23-250 | HLB1653-250 | | | .468 |
| 9/32 | | HLS79-281-078T | HLS23-281 | HLB1653-281 | | | .468 |
| 5/16 | | HLS79-312-078T | HLS23-312 | HLB1653-312 | | | .500 |
| 11/32 | | HLS79-343-078T | HLS23-343 | HLB1653-343 | | | .500 |
| 3/8 | | HLS79-375-078T | HLS23-375 | HLB1653-375 | | | .547 |
| 5/16 | 3/32 | HLS79-312-094T | HLS23-312 | HLB1653-312 | HLT140K-094 | | .500 |
| 11/32 | | HLS79-343-094T | HLS23-343 | HLB1653-343 | | .500 | |
| 3/8 | | HLS79-375-094T | HLS23-375 | HLB1653-375 | | .547 | |
| 7/16 | | HLS79-437-094T | HLS23-437 | HLB1653-437 | | .625 | |
| 3/8 | 1/8 | N/A | N/A | N/A | HLT140K-125 | .547 | |
| 7/16 | | | | | | .625 | |
| 1/2 | | | | | | .705 | |
| 9/16 | | | | | | .780 | |
| 7/16 | 5/32 | N/A | N/A | N/A | HLT140K-156 | .625 | |
| 1/2 | | | | | | .705 | |

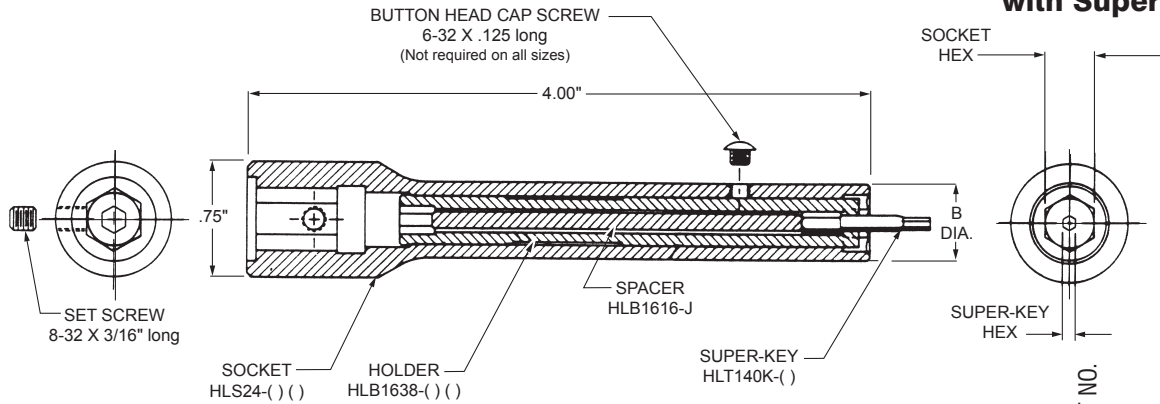
SUPER HLS79
2-INCH EXTENDED SOCKET ASSEMBLY
 with Super-Key™ (T-Series)



INSTALLATION TOOLING

SUPER HLS80

4" Extended Socket Assembly with Super-Key™ (T-Series)



ORDERING INFORMATION

1. Match pin and collar hexes with Super-Key Hex and Socket Hex.
2. See table 1 for corresponding complete driver assy part no.

2" SOCKET ASSY BASIC PART NO.
HLS 80-312-078T
 Example 1: complete socket assy. part no.

SOCKET HEX (REF: TABLE 1)
 SUPER-KEY HEX (REF: TABLE 1)
 SUPER-KEY (T-SERIES)

TABLE 1

| COLLAR DRIVING HEX (Matches Socket Hex) | PIN RECESS HEX (Matches Super-Key Hex) | COMPLETE SOCKET ASSY. PART NO. | SOCKET PART NO. | SUPER-KEY HOLDER PART NO. | SUPER-KEY PART NO. | SUPER-KEY SPACER PART NO. | B DIA. |
|---|--|--------------------------------|-----------------|---------------------------|--------------------|---------------------------|--------|
| 7/32 | 1/16 | HLS80-218-062T | HLS24-218 | HLB1638-218 | HLT140K-062 | | .375 |
| 1/4 | | HLS80-250-062T | HLS24-250 | HLB1638-250 | | | .468 |
| 9/32 | | HLS80-281-062T | HLS24-281 | HLB1638-281 | | | .468 |
| 5/16 | | HLS80-312-062T | HLS24-312 | HLB1638-312 | | | .500 |
| 11/32 | | HLS80-343-062T | HLS24-343 | HLB1638-343 | | | .500 |
| 7/32 | 5/64 | HLS80-218-078T | HLS24-218 | HLB1638-218 | HLT140K-078 | HLB1616-J | .375 |
| 1/4 | | HLS80-250-078T | HLS24-250 | HLB1638-250 | | | .468 |
| 9/32 | | HLS80-281-078T | HLS24-281 | HLB1638-281 | | | .468 |
| 5/16 | | HLS80-312-078T | HLS24-312 | HLB1638-312 | | | .500 |
| 11/32 | | HLS80-343-078T | HLS24-343 | HLB1638-343 | | | .500 |
| 3/8 | | HLS80-375-078T | HLS24-375 | HLB1638-375 | | | .547 |
| 5/16 | 3/32 | HLS80-312-094T | HLS24-312 | HLB1638-312 | HLT140K-094 | | .500 |
| 11/32 | | HLS80-343-094T | HLS24-343 | HLB1638-343 | | | .500 |
| 3/8 | | HLS80-375-094T | HLS24-375 | HLB1638-375 | | | .547 |
| 7/16 | | HLS80-437-094T | HLS24-437 | HLB1638-437 | | | .625 |
| 3/8 | 1/8 | N/A | N/A | N/A | HLT140K-125 | | .547 |
| 7/16 | | N/A | N/A | N/A | | | .625 |
| 1/2 | | N/A | N/A | N/A | | | .705 |
| 9/16 | | N/A | N/A | N/A | | | .780 |
| 7/16 | 5/32 | N/A | N/A | N/A | HLT140K-156 | | .625 |
| 1/2 | | N/A | N/A | N/A | | | .705 |

**SUPER HLS80
 4-INCH EXTENDED SOCKET ASSEMBLY
 with Super-Key™ (T-Series)**

