

AEROSPACE

ULTRALITE™ COMPRESSION RIVETER

C-Yoke Model 705 HF

Standard Features

- Safety approved throttle lever
- Anodized aluminum housing
 - 90° elbow swivel air inlet
- Tool steel roller bearing and shaft
- Rivet capacity up to 5/32" aluminum and 1/8" steel
 - Additional C-yoke configurations available
 - Operate on 90 PSI air
 - Smooth controlled throttle movement
- Set holders available in 3/16" and 1/4" set holes
 - Adjustable type set holders are optional
 - Low cost replacement parts

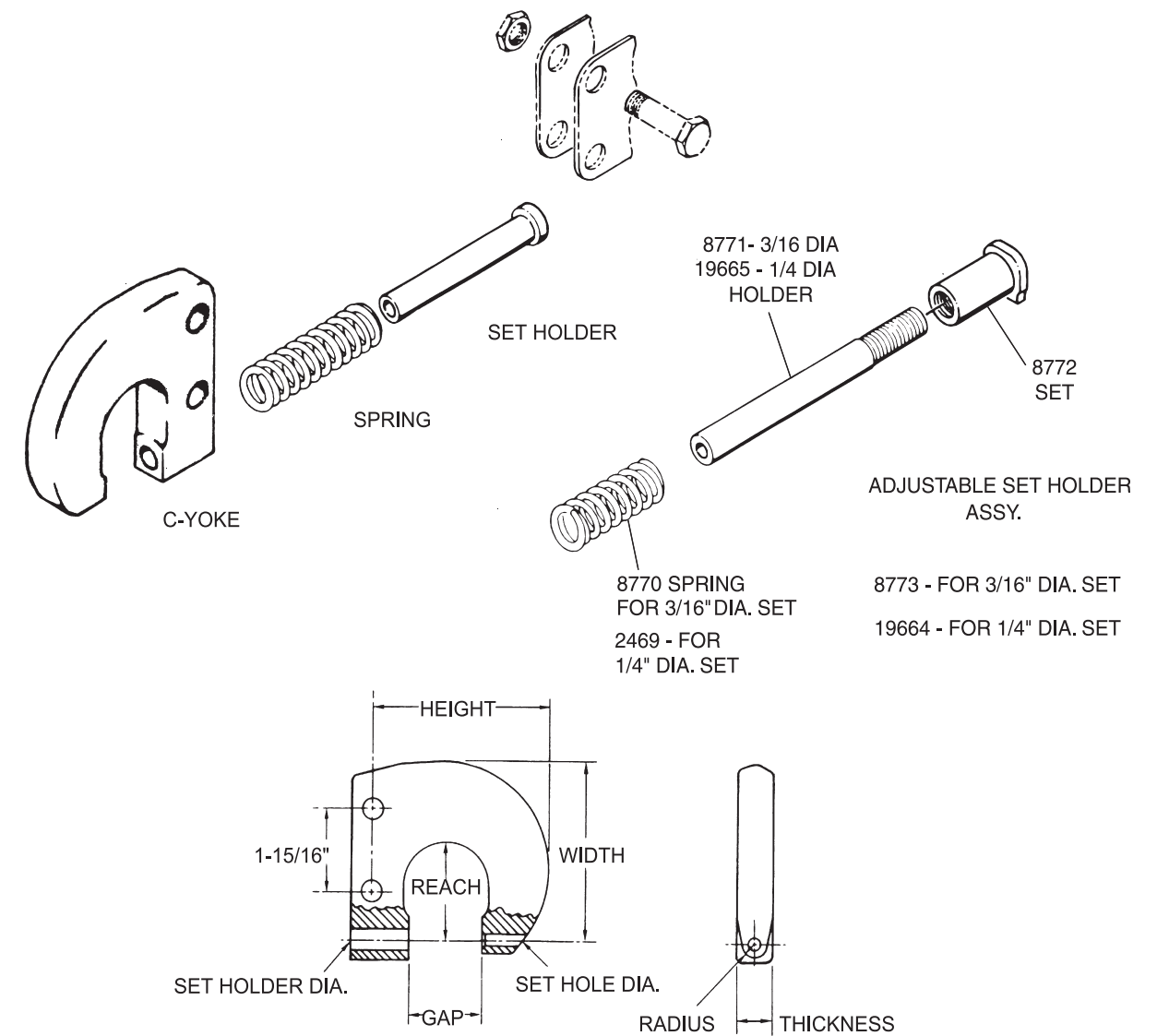


Power Unit

MODEL NO.	ORDERING NO.	CAPACITY		COLD RIVET	STEEL	CLOSED HEIGHT		SET HOLDER PLUNGER		PART OF STROKE AT MAX FORCE	NET WEIGHT WITH C-YOKE	OVERALL LENGTH	AIR INLET		
		ALUMINUM	in. mm			in. mm	MAXIMUM TRAVEL	POUNDS MAX FORCE AT 90 PSI	in. mm					in. mm	
705	(5346) obsolete	1/8	3.2	3/32	2.4	11/16	17.5	9/16	14.3	3000	1/16	1.6	4-1/2 2.0	10-1/4 260	1/4 NPT
705 HF	8520	5/32	4.0	1/8	3.2	11/16	17.5	9/16	14.3	4500	1/32	0.8	4-1/2 2.0	10-1/4 260	1/4 NPT

MINIMUM AIR PRESSURE: 90 PSI MINIMUM HOSE SIZE: 1/4" DIA.

C-Yokes See adjacent page ▶



C-Yokes (dimensions in inches)

YOKE ASSY. NO.	REACH	GAP	WIDTH	HEIGHT	THICKNESS	RADIUS	SET HOLE SIZE	SET HOLDER	SPRING	ADJ. SET HOLDER
538	1-1/2	1-1/4	3	3-3/8	9/16	3/16	3/16	539	540	8773
958	2	1-1/4	3-9/16	3-11/16	9/16	7/32	3/16	539	540	8773
959	2-1/2	1-3/8	4-5/8	3-7/8	9/16	7/32	3/16	2406	540	8773
960	3	1-1/2	5-1/4	4-3/8	1	4-3/8	3/16	1352	540	8773
961	3-1/2	1-1/2	6-1/16	4-3/4	1	4-3/8	3/16	1352	540	8773
6336	1-1/2	1-1/4	3	3-3/8	9/16	3/16	1/4	1877	3504	19664
9562	2	1-1/4	3-9/16	3-11/16	9/16	3-11/16	1/4	1877	3504	19664
9561	2-1/2	1-3/8	4-5/8	3-7/8	9/16	3-7/8	1/4	2415	3504	19664
9563	3	1-1/2	5-1/4	4-3/8	1	4-3/8	1/4	2417	3504	19664
9564	3-1/2	1-1/2	6-1/16	4-3/4	1	4-3/4	1/4	2417	3504	19664

COMPRESSION RIVETER POWER UNIT - C-YOKE MODEL 705/705HF

Item	Part No.	Description	5346		8520		Item	Part No.	Description	5346		8520	
			Qty.	Qty.	Qty.	Qty.				Qty.	Qty.		
005	589	Cylinder assy.	1	1	150	491	.. O-ring	1	1				
010	536	Shaft, roller, bearing	1	1	155	489	. Nut, swivel, air inlet	1	1				
015	369	Screw, hex soc hd capc	1	1	160	6313	. O-ring	1	1				
020	537	Washer	1	1	165	552	. Elbow, 90 degree	1	1				
025	495	Guard, roller bearing	1	1	170	6835	Valve assy., throttle	1	1				
030	456	Screw, round hd machine	1	1	175	6298	. Valve, throttle	1	1				
035	496	Spacer	1	1	180	566	. O-ring	1	1				
040	795	Lever assy., valve, throttle	1	1	185	3577	Spring, compression	1	1				
045	572	Spacer	1	1	190	6341	Cylinder head assy.	1	1				
050	462	Fork, shaft, piston	1	1	195	6350	. Bushing assy., throttle val	1	1				
055	466	Rivet	1	1	200	5183	.. O-ring	1	1				
060	463	Nut, stop, elastic	1	1	205	6309	.. Bushing, valve, throttle	1	1				
065	2748	Washer	1	1	210	1607	. Cylinder head	1	1				
070	493	Wedge	1		215	541	Bolt, hex	2	2				
070	8474	Wedge		1	220	415	Nut, hex, jam	2	2				
075	465	Spacer	1	1	225	494	Plate, yoke frame	2	2				
080	410	Screw, hex hd steel cap	6	6	230	553	Lever assy.	1	1				
085	483	Gasket, head, cylinder	1	1	235	532	. Lever, holder	1	1				
090	461	Plate, leather, cup	1	1	240	535	. Shaft, roller, bearing	1	1				
095	460	Cup, leather	1	1	245	533	. Bearing, outer, roller	1	1				
100	438	Piston assy.	1	1	250	534	. Bearing, inner, roller	1	1				
105	468	Spring, compression	2	2	255	627	. Bearing, needle, roller	32	32				
110	467	Spring, compression	2	2	258	554	Roller bearing assy.	1	1				
115	944	Lever assy., Arm	1	1	260	498	. Guide, wedge	2	2				
120	901	. Lever, throttle	1	1	265	470	. Shaft, roller bearing	2	2				
125	628	. Screw, fillister, slotted	1	1	270	472	. Washer, thrust	4	4				
130	200	Spring	1	1	275	469	. Bearing, roller, outer	2	2				
135	2436	Swivel, air inlet	1	1	280	626	. Bearing, roller, needle	40	40				
140	490	. Swivel assy., air inlet	1	1	285	497	Pin, spacer	1	1				
145	1585	.. Swivel, air inlet	1	1									

