

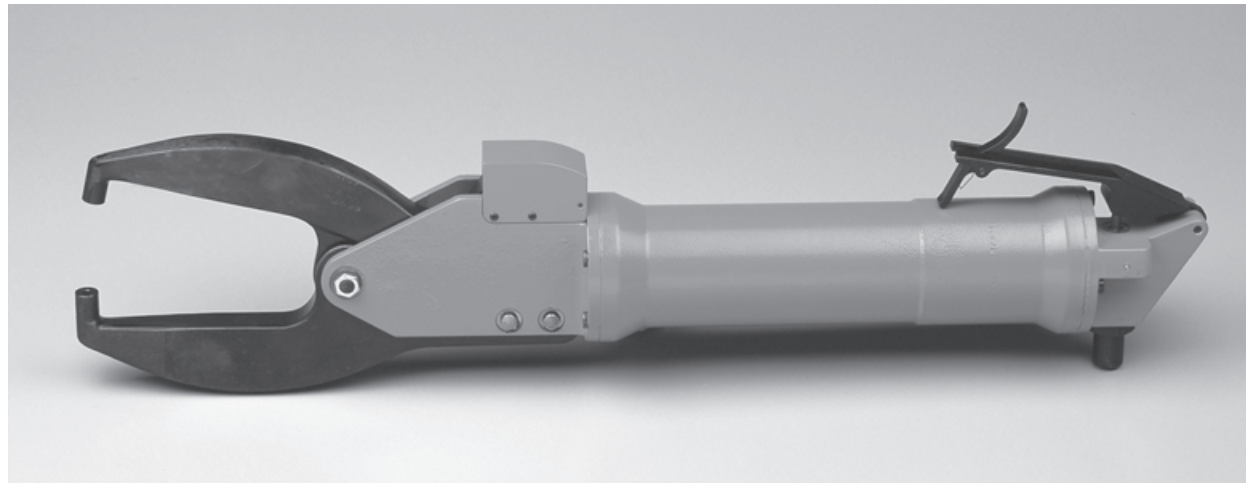
AEROSPACE

ULTRALITE™ COMPRESSION RIVETER

Alligator Model 735A

Standard Features

- Ergonomic design
- 50% weight reduction over larger models
- High-strength forged jaws
- Precision bearings and shafts

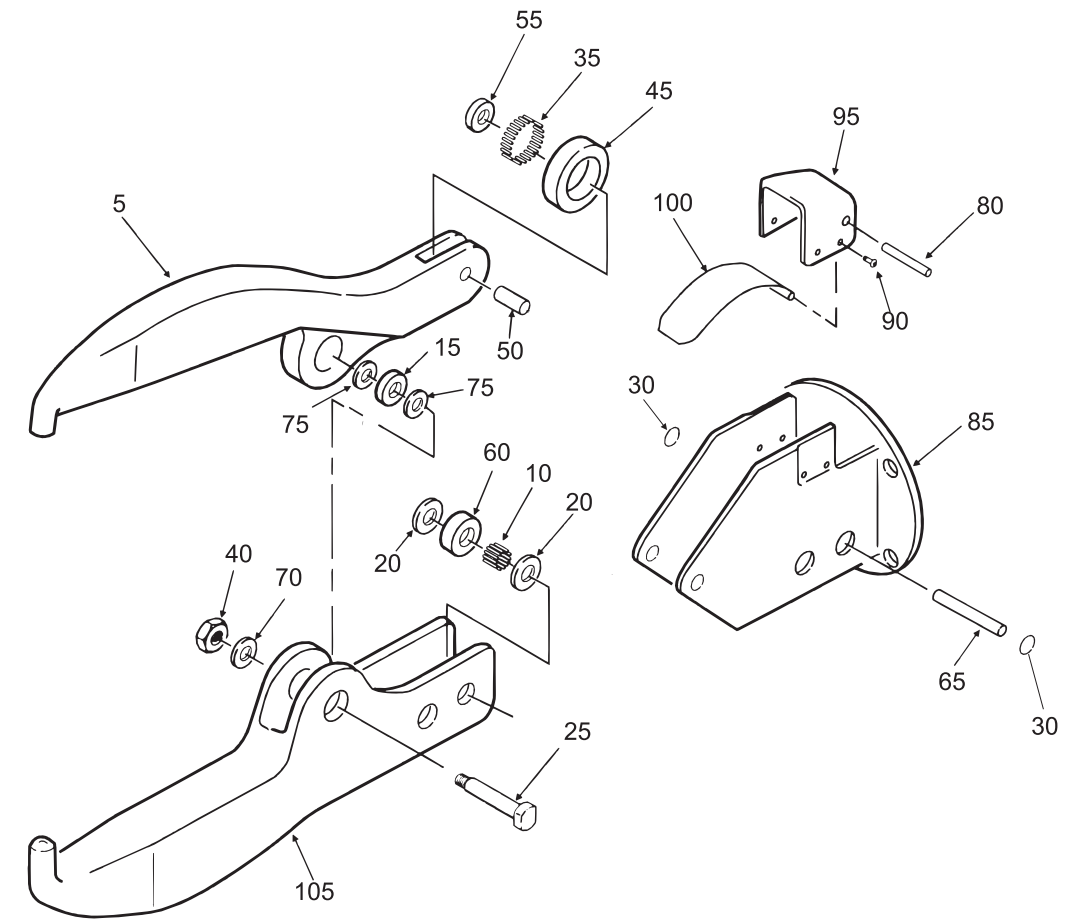


Power Unit

MODEL NO.	ORDERING NO.	JAW REACH in.	CAPACITY COLD RIVET		MAX FORCE AT 90 PSI		NET WEIGHT WITH JAWS		LENGTH		AIR INLET in.
			ALUMINUM in. mm	STEEL in. mm	pounds newtons	lbs. kg.	in. mm				
		3	1/4 6.4	3/16 4.8	10000 44500	9 4	20.2 513	1/4 NPT			
735A	17283	5	3/16 4.8	5/32 4.0	6800 30300	11 5	22.5 572	1/4 NPT			
		7	5/32 4.0	1/8 3.1	4400 19600	13 6	24.5 622	1/4 NPT			

MINIMUM AIR PRESSURE: 90 PSI MINIMUM HOSE SIZE: 1/4" DIA.

Alligator Jaws See adjacent page ▶



ALLIGATOR JAW ASSY - 735A

Item	Part No.	Description	Qty.	Item	Part No.	Description	Qty.
005	17285	Jaw, moving, 5" 3/16"	1	060	16796	Bearing, roller, stat.	2
005	17289	Jaw, moving, 5" 1/4"	1	065	471	Bearing, roller, shaft	2
005	17317	Jaw, moving 3" 3/16"	1	070	177	Washer, flat	1
005	17320	Jaw, moving 3" 1/4"	1	075	481	Washer, thrust	2
005	19001	Jaw, moving, 7" 3/16"	1	080	16344	Roller, needle	1
005	19009	Jaw, moving, 7" 1/4"	1	085	17286	Adapter	1
010	626	Bearing, roller, needle	75	090	6475	Screw	4
015	480	Bearing, roller, inner	1	095	17281	Cover, plate	1
020	472	Washer, thrust	4	100	18187	Spring, return	1
025	482	Bolt, bearing, roller	1	105	17284	Jaw, stat. 5" 3/16"	1
030	3363	Ring, retaining	4	105	17288	Jaw, stat. 5" 1/4"	1
035	3100	Bearing, roller, needle	30	105	17318	Jaw, stat. 3" 3/16"	1
040	184	Nut, hex, jam	1	105	17319	Jaw, stat. 3" 1/4"	1
045	17280	Bearing, outer, race	1	105	19002	Jaw, stat. 7" 3/16"	1
050	19237	Shaft, bearing, roller	1	105	19011	Jaw, stat. 7" 1/4"	1
055	16799	Bearing, inner, race	1				

Alligator Jaws

JAW ASSY.	SET HOLE SIZE		REACH		MAX. TRAVEL	
	in.	mm	in.	mm	in.	mm
17148	3/16	4.8	3	75	7/8	22
17149	1/4	6.4	3	75	7/8	22
17146	3/16	4.8	5	125	1-1/4	32
17147	1/4	6.4	5	125	1-1/4	32
19000	3/16	4.8	7	175	1-3/4	45
19010	1/4	6.4	7	175	1-3/4	45

COMPRESSION RIVETER POWER UNIT - ALLIGATOR JAW MODEL 735A

Item	Part No.	Description	Qty.	Item	Part No.	Description	Qty.
010	16596	Cylinder	1	100	16803	Ring, snap	4
015	3079	Ring, retaining	1	105	16798	Piston	3
020	3085	Screen	1	110	16792	Backhead	2
025	3087	Screen	1	115	17323	Backhead assy.	1
030	3088	Muffler	1	120	16600	. End cap	1
035	16835	Lever	1	125	16747	. Swivel	1
040	17018	Pin, dowel	1	135	3086	. Valve	1
045	2314	Lever, safety, spring	1	137	3072	. O-ring	4
050	16794	O-ring	1	138	3084	. Valve, throttle	1
055	16592	Pin	1	139	3078	. O-ring	1
060	17299	Wedge assy	1	140	3083	. Bushing, valve, throttle	1
061	17202	. Wedge	1	145	2161	. Spring	1
063	16997	. Spring	1	150	2082	. O-ring	4
064	1449	. Pin, roll	1	155	514	. O-ring	1
065	19244	Pin	1	160	2786	. O-ring	1
070	16801	Fork, shaft, piston	1	165	3095	Nut, swivel	1
075	16749	Shaft, piston	2	170	16837	Lever	1
080	491	O-ring	3	175	16804	Screw	8
085	3090	O-ring	9	180	7821	Screw, lever, back	1
090	2082	O-ring	6	185	1068	Nut, hex	1
095	3122	Nut	1				

