

AEROSPACE

ULTRALITE™

COMPRESSION RIVETER

C-Yoke Model 740

Standard Features

- Safety approved throttle lever
- Anodized aluminum housing
 - 90° elbow swivel air inlet
- Tool steel roller bearing and shaft
- Rivet capacity up to 3/16" aluminum and 5/32" steel
 - Additional configurations of C-yokes available
 - Operate on 90 PSI air
 - Smooth controlled throttle movement
- Set holders available in 3/16" and 1/4" set holes
 - Low cost replacement parts

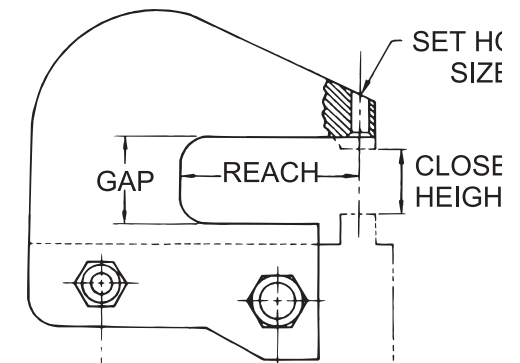
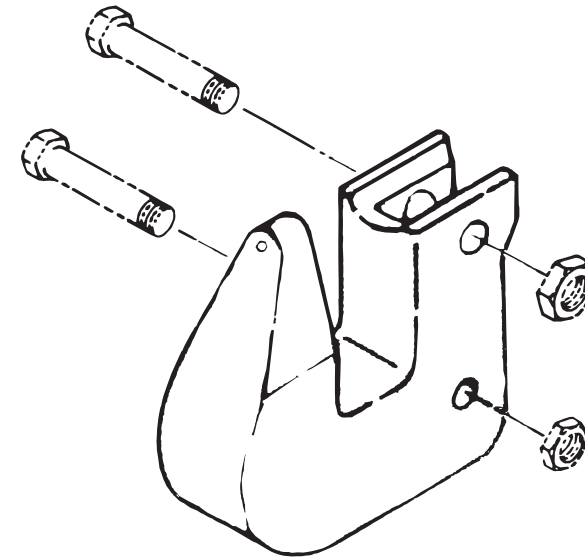


Power Unit

MODEL NO.	ORDERING NO.	CAPACITY COLD RIVET		SET HOLDER PLUNGER		PART OF STROKE AT MAX FORCE		NET WEIGHT WITH C-YOKE		OVERALL LENGTH		AIR INLET	
		ALUMINUM	STEEL	MAX FORCE	MAX FORCE	MAX FORCE	MAX FORCE	lbs.	kg.	in.	mm	in.	
		in.	mm	in.	mm	at 90 PSI	at 90 PSI						
740	9475	3/16	4.8	5/32	4.0	6000	1/8	3.2	12-3/4	5.7	17-3/4	451	1/4 NPT

MINIMUM AIR PRESSURE: 90 PSI

MINIMUM HOSE SIZE: 1/4" DIA.



C-Yokes (dimensions in inches)

YOKE ONLY ORDERING NO.	REACH	GAP	SET HOLE SIZE	CLOSED HEIGHT
991	2-1/8	1-3/32	3/16	13/16
993	2-1/2	1-9/16	3/16	1-5/8
994	3-3/4	1-1/4	3/16	1-1/8
995	3-5/16	3	3/16	2-13/16
996	3-1/4	1-1/16	3/16	15/16
997	3-3/4	1-1/4	3/16	1-1/8
998	2-3/8	1-1/4	3/16	1
7353	2-1/8	1-3/32	1/4	13/16
7354	2-1/2	1-9/16	1/4	1-5/8
7366	3-3/4	1-1/4	1/4	1-1/8
7367	3-5/16	3	1/4	2-13/16
7368	3-1/4	1-1/16	1/4	15/16
7369	3-3/4	1-1/4	1/4	1-1/8
7370	2-3/8	1-1/4	1/4	1

COMPRESSION RIVETER POWER UNIT - C-YOKE MODEL 740

Item	Part No.	Description	Qty.	Item	Part No.	Description	Qty.
005	5687	Cylinder with valve assy.	1	230	1066	. Bolt, roller bearing	3
010	2267	. Cylinder assy.	1	235	1068	. Nut, hex	3
015	1094	. Bushing assy.	1	240	1067	. Washer	3
020	922	.. O-ring	1	245	2451	. Roller assy.	1
025	2501	.. Bushing, flange	1	250	1070	.. Bearing, roller, inner	2
030	2080	. Valve assy., throttle	1	260	1071	.. Bearing, needle roller	38
035	2490	.. Valve, throttle	1	270	1072	. Washer, thrust	4
040	548	.. O-ring	1	280	2450	. Yoke assy.	1
045	2266	.. O-ring	2	285	2440	.. Guard	1
050	1484	Lever, throttle	1	290	2444	.. Yoke	1
055	409	Screw, adj. slotted, hex	1	295	2442	.. Rivet, round hd alum.	6
060	401	Nut, hex	1	300	2441	.. Wheel thumb	1
065	2430	Guard assy.	1	305	1758	.. Washer	1
070	3129	Dowel pin	1	310	2449	. Guard assy.	1
075	1127	Nut, adjustable	1	315	2445	.. Screw, adj. stroke	1
080	5826	Glide, regulator, valve	1	320	1764	.. Dowel pin	1
085	1100	Valve, exhaust	1	325	2446	.. Button	1
090	1101	Spring, compression	1	330	1763	.. Spring	1
095	1062	Plug	1	335	2452	. Roller assy.	1
100	402	Gasket	2	340	2439	.. Bearing roller, outer	1
120	2322	Nut, elastic stop	1	345	626	.. Bearing, roller, needle	28
125	2067	Washer, cone	2	350	1076	. Shaft	1
130	2084	Piston, return	1	355	1060	. Lever, set holder	1
135	403	Bushing	1	360	1098	. Shaft, lever, set holder	1
140	2081	Push pin assy.	1	365	1068	. Nut, hex	4
145	2491	. Push pin, throttle valve	1	370	1067	. Washer, flat	4
150	564	. O-ring	1	375	2427	. Pin, locking	1
155	1079	Nut, swivel, air inlet	1	380	1069	. Spacer	1
160	1228	O-ring	1	385	1075	. Screw, round hd	2
165	1145	Swivel, inlet, air	1	390	1073	. Bushing	1
170	406	Bushing	1	395	2438	. Guard	1
175	1080	Spring, valve, throttle	1	397	1960	. Yoke assy.	1
180	2137	Piston	1	400	2623	. Frame, yoke	1
185	2271	O-ring	1	402	1073	.. Bushing	1
190	1220	Shaft, fork, piston assy.	1	405	1077	. Bolt	1
195	551	Ring, locking	2	410	981	. Nut, jam, hex	1
200	2061	Spring, wedge	1	415	973	. Bolt, yoke	1
205	1061	Wedge	1	420	975	. Nut, hex	1
210	1095	Pin, dowel	1	425	1096	. Set holder 3/16"	1
215	2624	Yoke frame	1	427	1942	. Set holder 1/4"	1
220	2437	. Cylinder	1	430	2243	. Yoke	1
225	1065	. Screw, soc hd cap	4	435	1097	. Spring, return	2

