

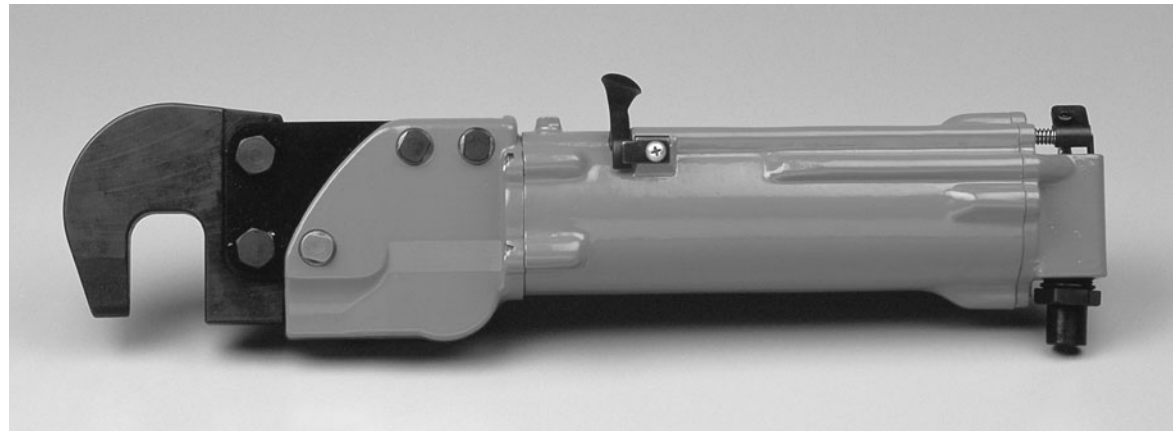
AEROSPACE

ULTRALITE™ COMPRESSION RIVETER

C-Yoke Model 745

Standard Features

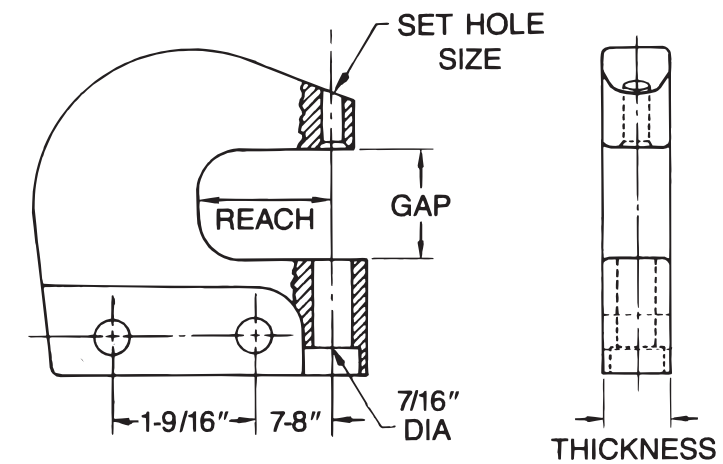
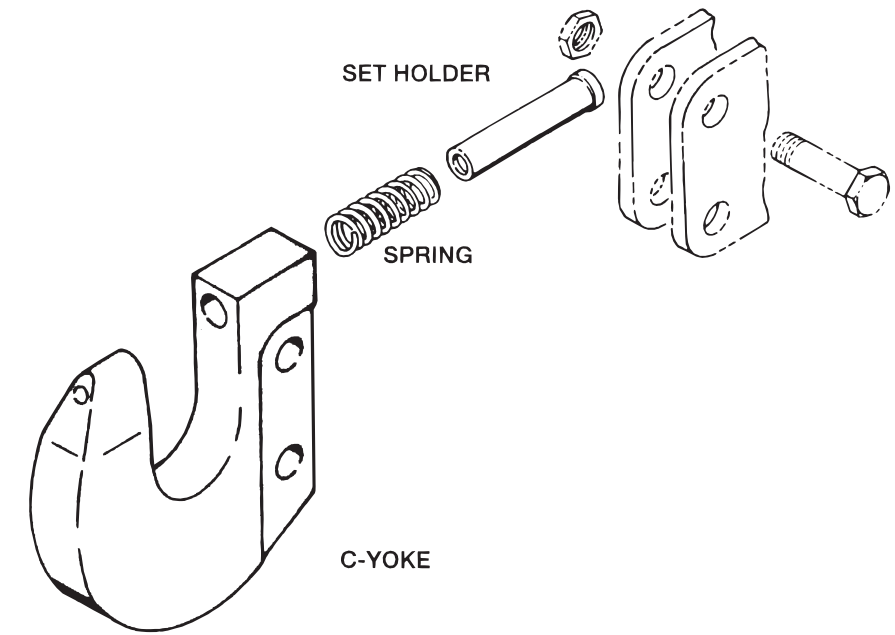
- Safety approved throttle lever
- Anodized aluminum housing
 - 90° elbow swivel air inlet
- Tool steel roller bearing and shaft
- Rivet capacity up to 5/16" aluminum and 1/4" steel
 - Additional configurations of C-yokes available
 - Operate on 90 PSI air
 - Smooth controlled throttle movement
- Set holders available in 3/16" and 1/4" set holes
 - Adjustable type set holders are optional
 - Low cost replacement parts



Power Unit

POWER UNIT ONLY		CAPACITY COLD RIVET				SET HOLDER PLUNGER		PART OF STROKE AT MAX FORCE		NET WEIGHT WITH C-YOKE		OVERALL LENGTH		AIR INLET
MODEL NO.	ORDERING NO.	ALUMINUM in.	mm	STEEL in.	mm	MAX FORCE AT 90 PSI pounds	in.	mm	lbs.	kg.	in.	mm	in.	
745	6532	5/16	7.9	1/4	6.4	10000	1/8	3.2	10	4.5	17-1/2	444	1/4 NPT	

MINIMUM AIR PRESSURE: 90 PSI MINIMUM HOSE SIZE: 1/4" DIA.



C-Yokes (dimensions in inches)

YOKE ASSY. NO.	REACH	GAP	THICKNESS	SET HOLE SIZE	SET HOLDER	SPRING
7479	1-1/2	1-1/4	3/4	3/16	7480	3054
7481	2	1-1/2	7/8	3/16	7480	3054
7482	3	1-1/2	1-1/8	3/16	7480	3054
7483	1-1/2	2	1	3/16	7480	3054
7484	2-1/2	1-3/8	1	3/16	7480	3054
7485	2-1/2	1-3/4	1-1/8	3/16	7480	3054
3052	1-1/2	1-1/4	3/4	1/4	3053	3054
6477	2	1-1/2	7/8	1/4	3053	3054
6478	3	1-1/2	1-1/8	1/4	3053	3054
6479	1-1/2	2	1	1/4	3053	3054
6480	2-1/2	1-3/8	1	1/4	3053	3054
6481	2-1/2	1-3/4	1-1/8	1/4	3053	3054

COMPRESSION RIVETER POWER UNIT - C-YOKE MODEL 745

Item	Part No.	Description	Qty.	Item	Part No.	Description	Qty.
005	3073	Cylinder	1	140	3084	. Valve, throttle	1
010	3081	Lever, throttle	1	145	3072	. O-ring	4
015	7275	Guard, safety, trigger	1	150	3078	. O-ring	1
020	6494	Screw, round hd	1	155	3096	Swivel, inlet	1
025	3069	Shaft, piston	1	160	2161	Spring, throttle valve	1
030	3063	Fork, shaft, piston	1	165	7509	Swivel nut assy., inlet	1
035	3062	Pin, roll	1	170	3095	. Nut, swivel, inlet	1
040	491	O-ring	2	175	2786	. O-ring	1
042	9819	Wedge assy.	1	180	3089	O-ring	1
043	9818	. Wedge	1	185	922	O-ring	1
044	J2732	. Pin	1	190	1065	Screw, soc hd cap	4
045	7771	Spring	1	195	3064	Bolt, pivot	1
050	3070	Piston assy.	2	200	1068	Nut, hex	3
055	3122	Nut, elastic stop	1	205	1067	Washer, flat	3
060	3075	Spacer	1	210	3060	Bolt	2
065	3090	O-ring	1	215	3068	Adapter, cylinder	1
070	3074	Retaining ring	2	220	03005	Bolt	2
075	5730	O-ring	1	225	00981	Nut	2
080	3093	Arm, lever, throttle	1	230	3057	Guard, roller, bearing	1
083	3077	Screw, soc hd cap	4	235	6507	Screw, slotted round hd	2
085	88	Screw, soc hd cap	1	240	3056	Plate, frame, yoke	2
090	200	Spring	1	245	3065	Lever, holder, set	1
095	2801	Roll pin	1	250	3101	Shaft, roller bearing	1
100	7123	Backhead assy.	1	255	3066	Roller, outer	1
105	3080	. Backhead	1	260	3100	Bearing, needle, roller	21
107	2082	. O-ring	4	265	3067	Guide, wedge	2
110	3083	. Bushing, valve, throttle	1	270	3058	Roller, outer	2
115	3079	Retaining ring	1	275	3059	Bearing, roller, needle	38
120	3087	Screen	1				
125	3085	Screen	1				
130	3088	Muffler	1				
135	3086	Valve assy., throttle	1				

