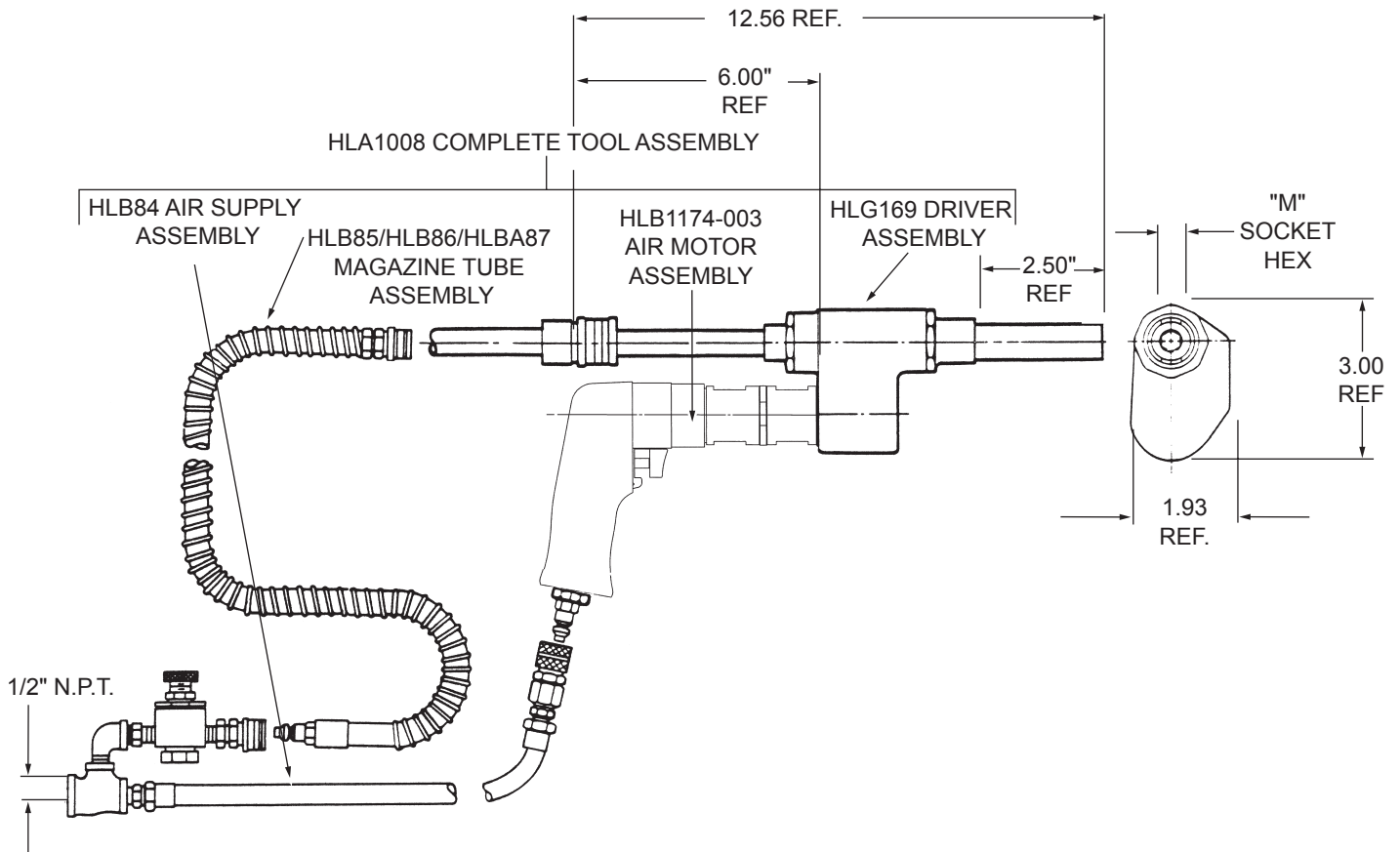


# HLA1008

## Automatic Feed Driver Assembly



BASIC PART NO.

"M" SOCKET HEX (REF TABLE 1)

**HLA1008-312**

Example 1: complete tool assy. part no.

**ORDERING INFORMATION**

1. Determine collar driving hex of the fasteners to be installed.
2. See table 1 for "M" socket hex to match collar driving hex dimensions. Determine complete tool assembly part number.

**TECHNICAL DATA**

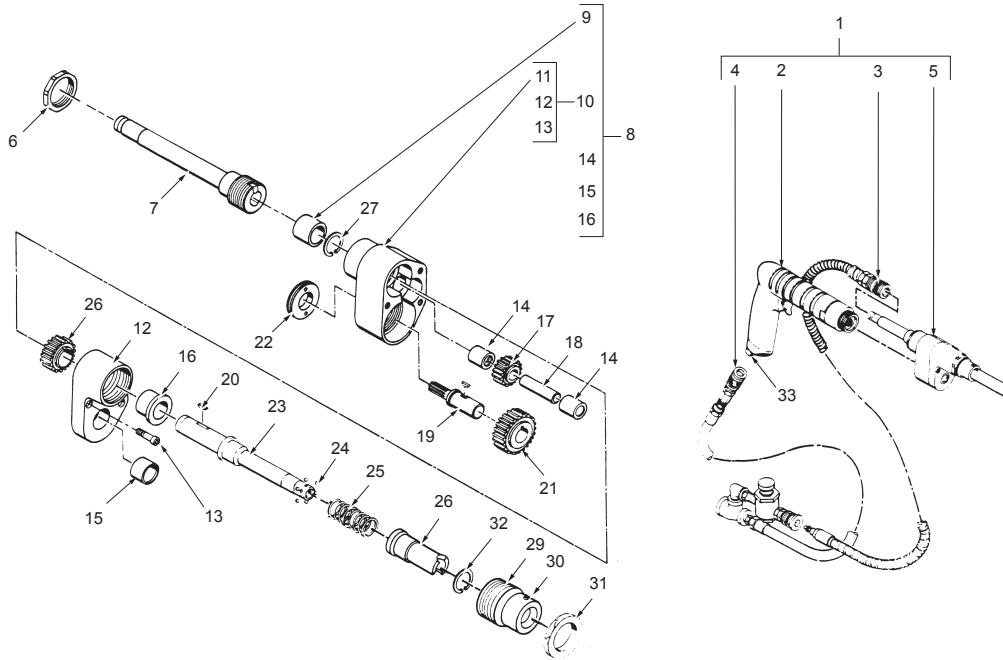
Operating Pressure .....	90 PSIA	Horsepower Rating .....	0.75
<b>MAX. TORQUE RATING</b> .....	270 in. lb	Air Consumption .....	25 CFM
(Motor)	@ 90 PSIA	Weight .....	3 lb
Socket Speed .....	600 RPM		

**TABLE 1**

"M" SOCKET HEX (Matches Collar Driving Hex)	COMPLETE TOOL ASSEMBLY Part No.	RATCHET WRENCH ATTACHMENT ASSY. Part No. (Ref.)
5/16	HLA1008-312	HLG171-312
11/32	HLA1008-343	HLG171-343
7/16	HLA1008-437	HLG171-437

# HLG169

## Driver Assembly



ITEM	PART NAME	PART NO. FOR ORDERING			QTY REQ.
1	Complete tool assembly	HLA1008-312	HLA1008-343	HLA1008-437	1
2	. Air motor assembly	HLB1174-003	HLB1174-003	HLB1174-003	1
3	. Magazine tube assembly	HLB85-3	HLB86-3	HLB87-1	1
4	. Air supply assembly	HLB84	HLB84	HLB84	1
5	. Driver assembly	HLG169-312	HLG169-343	HLG169-437	1
6	. . Locknut – Read	HLB238	HLB238	HLB238	1
7	. . Feed tube assembly	HLB316-3	HLB316-5	HLB316-7	1
8	. . Housing assembly, complete	HLB276-6	HLB276-6	HLB276-8	1
9	. . . Bushing (Boston)	B-1012-5	B-1012-5	HLB277-3	1
10	. . . Housing assembly	HLB264-2	HLB264-2	HLB264-1	1
11	. . . . Case	HLB245-6	HLB245-6	HLB245-8	1
12	. . . . Cover	HLB252-6	HLB252-6	HLB252-8	1
13	. . . . Cap, screw		#10 x 24 x 1-3/8" lg.		3
14	. . . Bearing (Torrington)	M-681	M-681	M-681	2
15	. . . Bearing (Torrington)	M-881	M-881	M-881`	1
16	. . . Bushing (Boston)	FB1012-5	FB1012-5	HLB277-5	1
17	. . Gear, idler	HLB237	HLB237	HLB237	1
18	. . Shaft, idler	HLB241	HLB241	HLB241	1
19	. . Shaft, input	HLB235	HLB235	HLB235	1
20	. . Woodruff key	3/8 x 1/16	5/16 x 1/16 (1 req.)	3/8 x 1/16 (1 req.)	2
21	. . Gear, drive	HLB236	HLB236	HLB236	1
22	. . Ring, locking	HLB234	HLB234	HLB234	1
23	. . Spindle	HLS132 5/16 hex	HLS2 11/32 hex	HLS3 7/16 hex	1
24	. . Steel ball (chrome steel)	3/32 dia.	3/32 dia.	3/32 dia.	6
25	. . Spring	HLB240-(3)	HLB240-(3)	HLB240-(3)	1
26	. . Gear, spindle	HLB233-6	HLB233-6	HLB233-8	1
27	. . Retaining ring (Truarc)	5100-62	5100-62	5108-68	1
28	. . Sleeve	HLB324-312	HLB325-343	HLB323	1
29	. . Retainer	HLB76	HLB321	HLB144-003	1
30	. . Screw	HLB144-003	HLB144-003	HLB242	1
31	. . Locknut – front	HLB242	HLB242	--	1
32	. . Retaining ring (Truarc)	5103-62	--	--	1
33	. Plug (Hansen)	#10	#10	#10	1

**HS TOOLING**

14083 S. Normandie Ave, Gardena CA 90249 USA  
800.482.4167 • fax 310.464.8545

**HLG169**

**Driver Assembly**

**3204 rev A**