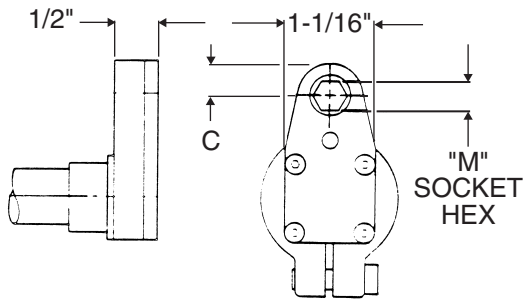
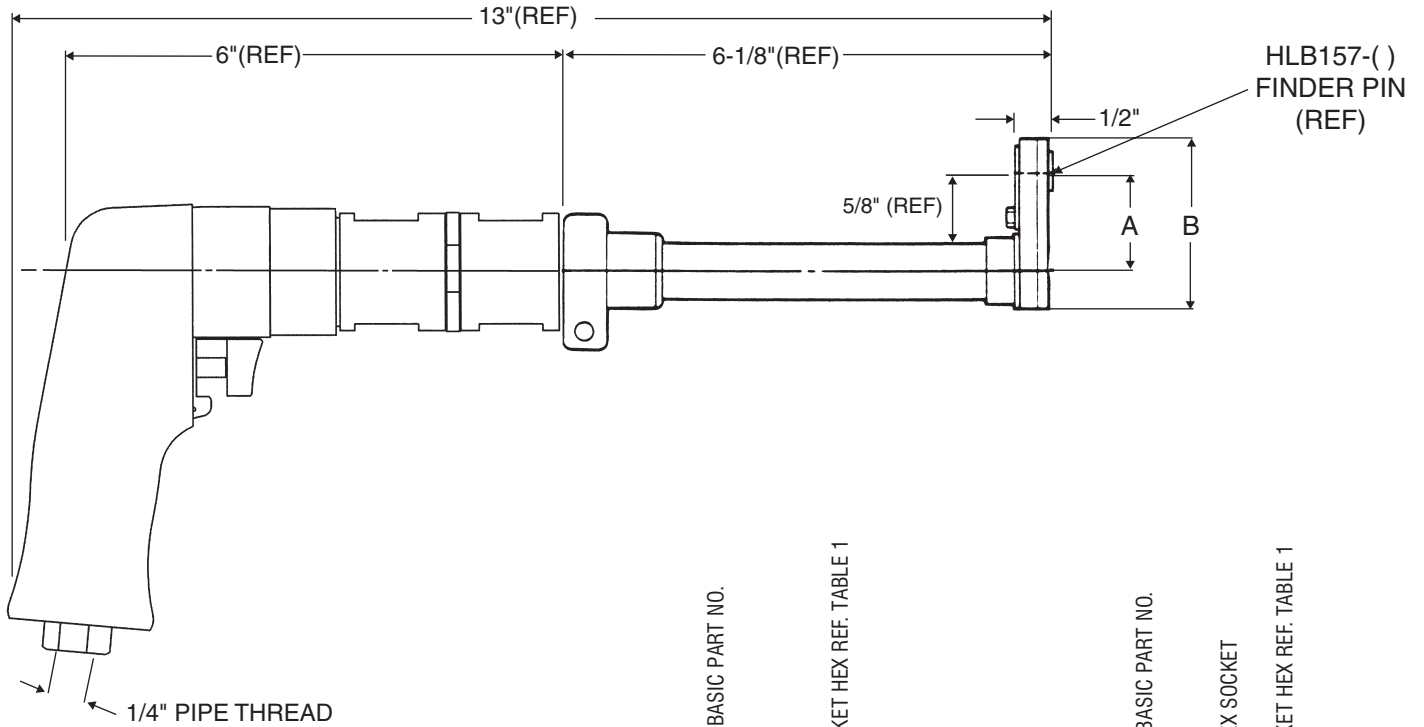


INSTALLATION TOOLING SUPER HLA1071

1 Inch Offset Driver Assembly
with Interference Fit Flush Socket

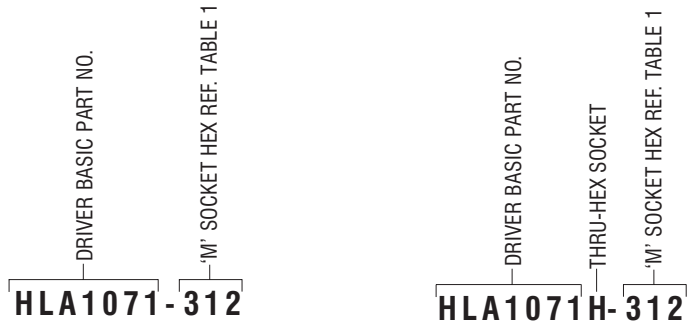


HLG115H OFFSET ADAPTOR ASSY W/THRU-HEX SOCKET
(Finder pin & leaf spring not included)



ORDERING INFORMATION

1. Determine collar driving hex dimensions of the fasteners to be installed.
2. See table 1 for 'M' socket hex to match collar driving hex dimensions. Determine complete tool assembly part no. (Example 1).
3. See table 2 for complete tool assembly part nos. to obtain an Offset Adaptor Assembly featuring a thru-hex socket, less finder pin and leaf spring.
4. See example 2.



Example 1: complete driver assy. Example 2: complete driver assy. part no. w/ thru-hex socket

TECHNICAL DATA

Operating Pressure	90 PSIA	Horsepower Rating	0.70
MAX. TORQUE RATING	300 in. lb	Air Consumption	22 SCFM
(Motor)	@ 90 PSIA	Weight	3.8 lb
Socket Speed	250 RPM		

TABLE 1

TABLE 2

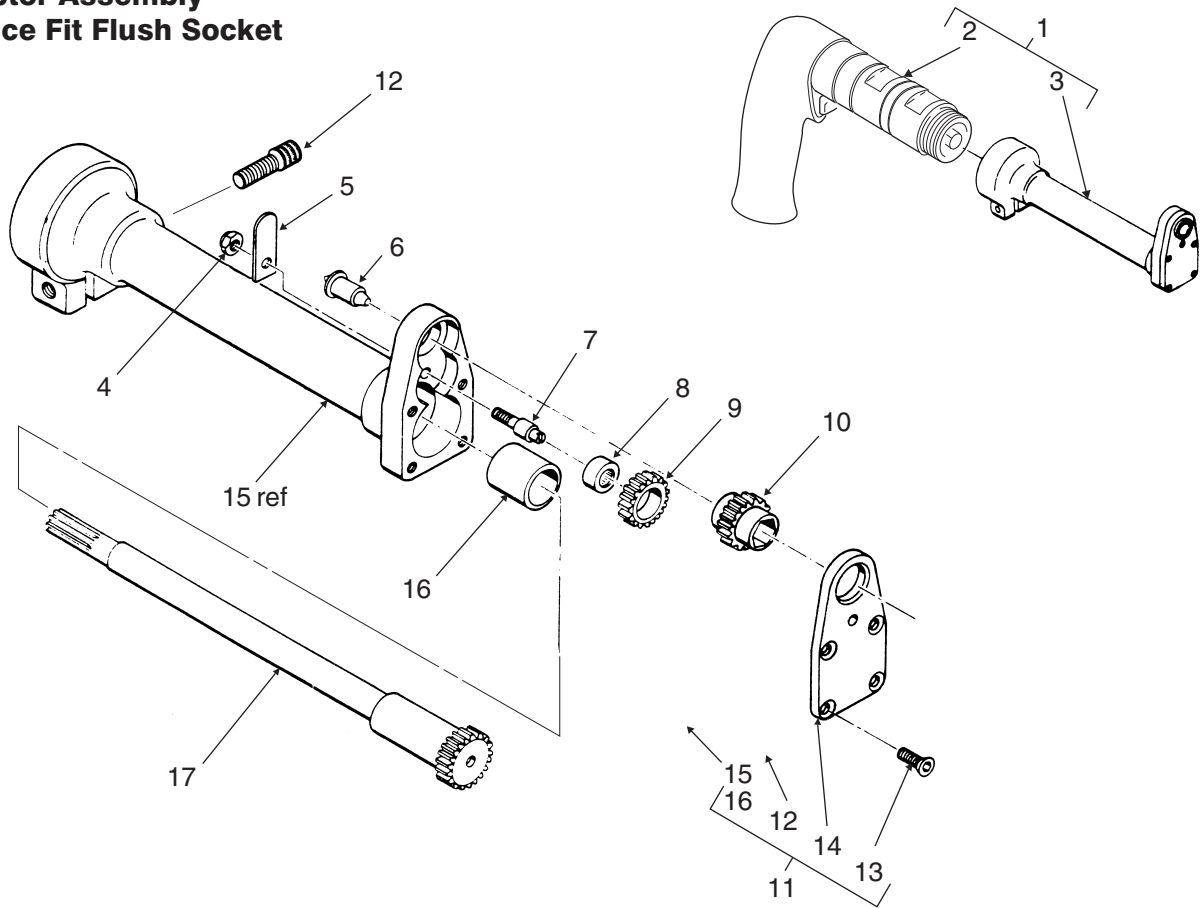
COLLAR Hex Size	A C to C	B OVERALL	C EDGE DISTANCE	"M" SOCKET HEX (Matches Collar Driving Hex)	COMPLETE TOOL ASSY. PART NO.	OFFSET ADAPTOR ASSY. PART NO. (REF.)	OFFSET ADAPTOR ASSY. PART NO. (REF.)	"M" SOCKET HEX (Matches Collar Driving Hex)	COMPLETE TOOL ASSY. PART NO.	OFFSET ADAPTOR ASSY. PART NO. (REF.)
up to 3/8	1.375	2.330	0.431	5/16	HLA1071-312	HLG115-312	HLB157-312	5/16	HLA1071H-312	HLG115H-312
7/16 and up	1.420	2.450	0.500	11/32	HLA1071-343	HLG115-343	HLB157-343	11/32	HLA1071H-343	HLG115H-343
				3/8	HLA1071-375	HLG115-375	HLB157-375	3/8	HLA1071H-375	HLG115H-375
				7/16	HLA1071-437	HLG115-437	HLB157-437	7/16	HLA1071H-437	HLG115H-437

SUPER HLA1071
1" OFFSET DRIVER ASSEMBLY with Interference Fit Flush Socket



HLG115

1" Offset Adaptor Assembly with Interference Fit Flush Socket



ITEM	PART NO.	DESCRIPTION	QTY HLB167 SERIES	QTY HLB167H SERIES THRU-HEX SOCKET	TABLE 3	
					SOCKET GEAR	
					HEX SIZE (Matches Collar Driving Hex)	PART NO.
1	HLA1071-()	Tool assy., complete	1			
1	HLA1071H-()	Tool assy., complete		1		
2	HLB1174-003	. Air motor assy.	1	1		
3	HLG115-()	. Offset adaptor assy.	1			
3	HLG115H-()	. Offset adaptor assy.		1		
4	AN364-632C	.. Nut, hex	1		5/16	HLB167-312
5	HLB162-8	.. Spring, leaf	1		11/32	HLB167-343
6	HLB157-()	.. Pin, finder	1		3/8	HLB167-375
7	HLB105	.. Shaft, intermediate	1	1	7/16	HLB167-437
8	B34	.. Bearing (Torrington)	1	1		
9	HLB106-7	.. Gear, intermediate	1			
10	HLB167-() Table 3 (-11 for .437 socket)	.. Gear, socket	2			
10	HLB167H-() Table 4 (-11 for .437 socket)	.. Gear, socket		1		
12	1/4-28 x 5/8 lg.	... Capscrew, socket head	1	1		
13	6/32 x 3/8 lg.	... Screw, countersunk - 820	4	4		
14	HLB171 (HLB172 for .437 socket)	... Cover plate	1	1		
15	HLB168-5 (-11 for .437 socket)	... Housing assy.	1	1		
16	B810-5	... Bushing (Boston Gear)	1	1		
17	HLB103-5	.. Gear, drive	1	1		

HS TOOLING

14083 S. Normandie Ave, Gardena CA 90249 USA
800.482.4167 • fax 310.464.8545

HLG115

1" OFFSET ADAPTOR ASSEMBLY with Interference Fit Flush Socket

3006 rev —