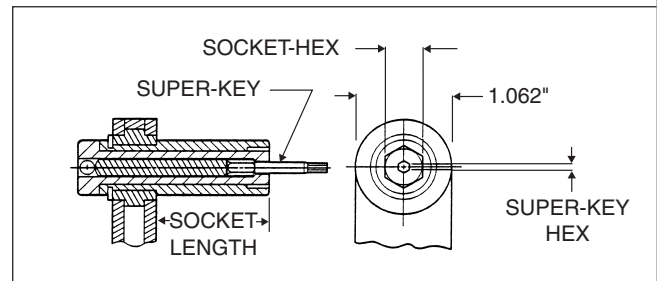
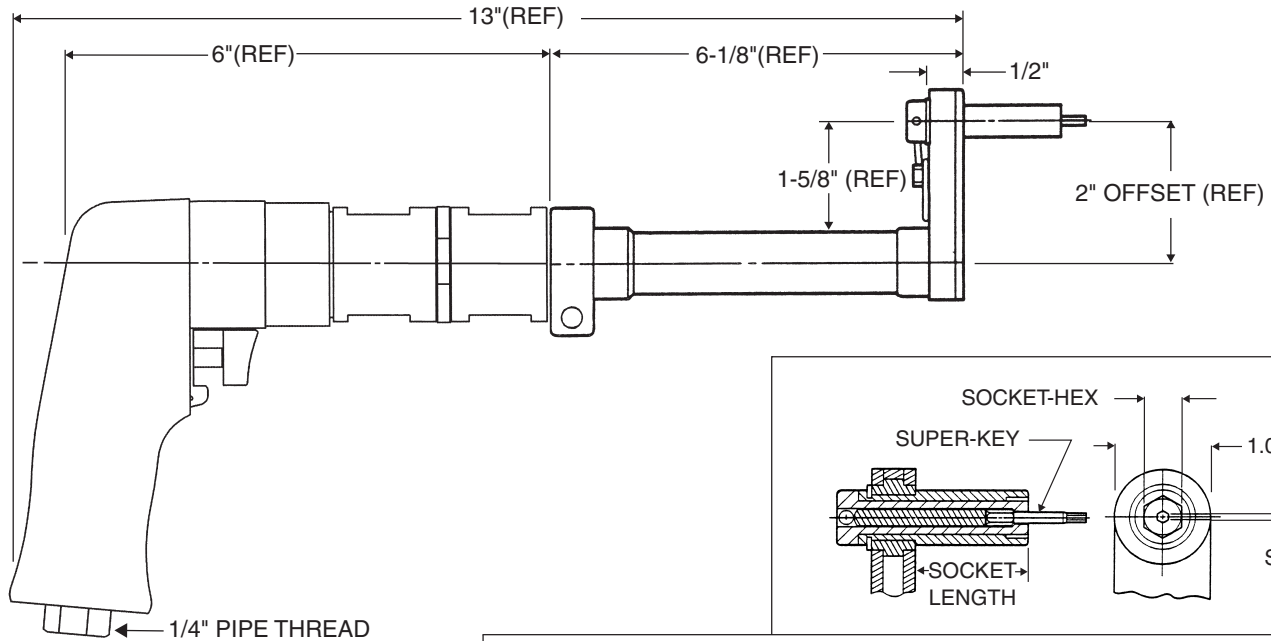


INSTALLATION TOOLING

SUPER HLA1076

2 Inch Offset Driver Assembly
with Multi-Length Socket
and Super-Key™ (T-Series)



TECHNICAL DATA

Operating Pressure	90 PSIA	Horsepower Rating	0.70
MAX. TORQUE RATING	300 in. lb (Motor) @ 90 PSIA	Air Consumption	22 SCFM
Socket Speed	250 RPM	Weight	3.8 lb

TABLE 1

COLLAR DRIVING HEX (Matches Socket Hex)	PIN RECESS HEX (Matches Super-Key Hex)	COMPLETE DRIVER ASSY. PART NO.	OFFSET ADAPTOR & SOCKET ASSY. PART NO.	EXTENDED SOCKET ASSY. PART NO.
3/16	1/16	HLA1076-187()-062T	HLG321-187()-062T	HLS76-187()-062T
7/32		HLA1076-218()-062T	HLG321-218()-062T	HLS76-218()-062T
1/4		HLA1076-250()-062T	HLG321-250()-062T	HLS76-250()-062T
9/32		HLA1076-281()-062T	HLG321-281()-062T	HLS76-281()-062T
5/16		HLA1076-312()-062T	HLG321-312()-062T	HLS76-312()-062T
11/32		HLA1076-343()-062T	HLG321-343()-062T	HLS76-343()-062T
7/32	5/64	HLA1076-218()-078T	HLG321-218()-078T	HLS76-218()-078T
1/4		HLA1076-250()-078T	HLG321-250()-078T	HLS76-250()-078T
9/32		HLA1076-281()-078T	HLG321-281()-078T	HLS76-281()-078T
5/16		HLA1076-312()-078T	HLG321-312()-078T	HLS76-312()-078T
11/32		HLA1076-343()-078T	HLG321-343()-078T	HLS76-343()-078T
3/8		HLA1076-375()-078T	HLG321-375()-078T	HLS76-375()-078T
5/16	3/32	HLA1076-312()-094T	HLG321-312()-094T	HLS76-312()-094T
11/32		HLA1076-343()-094T	HLG321-343()-094T	HLS76-343()-094T
3/8		HLA1076-375()-094T	HLG321-375()-094T	HLS76-375()-094T
7/16		HLA1076-437()-094T	HLG321-437()-094T	HLS76-437()-094T
3/8		HLA1076-375()-125T	HLG321-375()-125T	HLS76-375()-125T
7/16		HLA1076-437()-125T	HLG321-437()-125T	HLS76-437()-125T
	1/8			

TABLE 2

A = 0.50	E = 0.75
B = 1.00	F = 1.75
C = 1.50	X = 4.00
D = 2.00	

DRIVER BASIC PART NO.

SOCKET HEX REF. TABLE 1

SOCKET LENGTH CODE (REF TABLE 2)

SUPER-KEY HEX REF. TABLE 1.

SUPER-KEY (T-SERIES)

HLA1076-312(E)-078 T

Example: complete driver assy. part no.

ORDERING INFORMATION

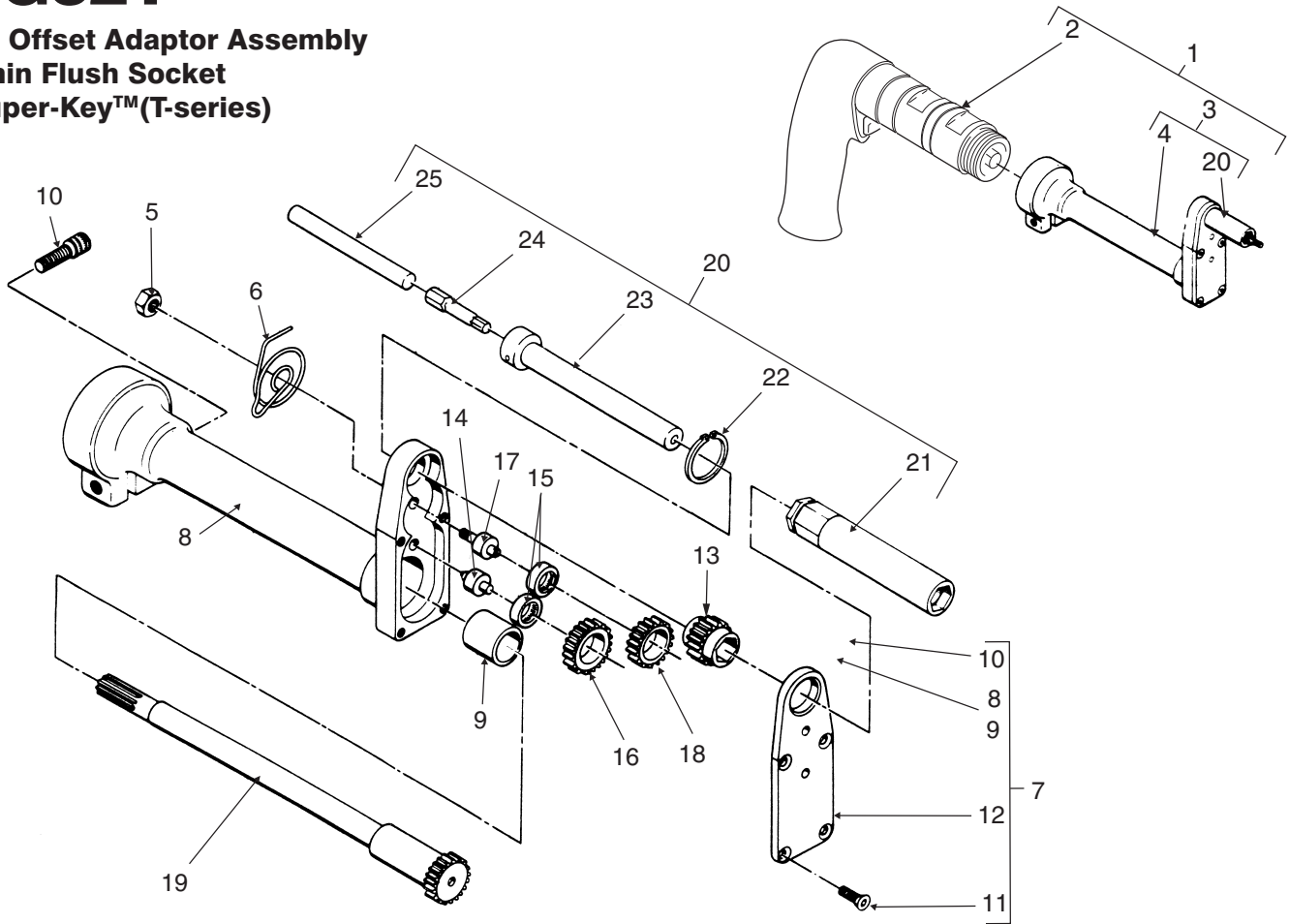
- Match pin and collar hexes with Super-Key Hex and Socket Hex.
- See table 1 for corresponding complete driver assy part no.
- See table 2 for SOCKET LENGTH CODES

SUPER HLA1076
2" OFFSET DRIVER ASSEMBLY with Multi-Length Socket & Super-Key™ (T-series)



HLG321

**1 Inch Offset Adaptor Assembly
with Thin Flush Socket
and Super-Key™(T-series)**



ITEM	PART NO.	DESCRIPTION	QTY	TABLE 3	
1	HLA1076-(-)(-)T	Tool assy., complete	1	SOCKET	
2	HLB1174-005	. Air motor assy.	1		
3	HLG321-(-)(-)T	. Offset adaptor and socket assy.	1	HEX SIZE (Matches Collar Driving Hex)	PART NO.
4	HLG321	.. Offset adaptor assy.	1	3/16	HLS47-187()
5	AN364-632C	... Nut, hex	1	7/32	HLS47-218()
6	HLB1475-5	... Spring, ejector	1	1/4	HLS47-250()
7	HLB169-13	... Housing assy., complete	1	9/32	HLS47-281()
8	HLB168-13 Housing sub-assy.	1	5/16	HLS47-312()
9	B810-5 Bushing	1	11/32	HLS47-343()
10	1/4-28 x 5/8 lg. Cap screw, socket head	1	3/8	HLS47-375()
11	6-32 x 3/8 lg. Screw, countersunk - 82°	4	7/16	HLS47-437()
12	HLB174 Plate, cover	1	TABLE 4	
13	HLB23-437	... Gear, socket - 7/16 thru hex	1		
14	HLB159	... Shaft, no. 2 intermediate	1	HEX SIZE (Matches Pin Recess Hex)	PART NO.
15	B34	... Bearing (Torrington)	2	1/16	HLT140K-062
16	HLB106-11	... Gear, no. 2 intermediate	1	5/64	HLT140K-078
17	HLB105	... Shaft, no. 1 intermediate	1	3/32	HLT140K-094
18	HLB106-11	... Gear, no. 1 intermediate	1	1/8	HLT140K-125
19	HLB103-5	... Gear, drive	1		
20	HLS76-(-)(-)T	.. Socket assy., extended	1		
21	HLS47-(-)()	... Socket (see Table 3)	1		
22	5100-50	... Retaining ring	1		
23	HLB1665-(-)()	... Holder	1		
24	HLT140K-(-)	... Super-Key (see Table 4)	1		
25	HLB1616-(-)	... Spacer	1		

HS TOOLING

14083 S. Normandie Ave, Gardena CA 90249 USA
800.482.4167 • fax 310.464.8545

HLG321

1 INCH OFFSET ADAPTOR ASSEMBLY with Thin Flush Socket & Super-Key™ (T-series)

3010 rev —