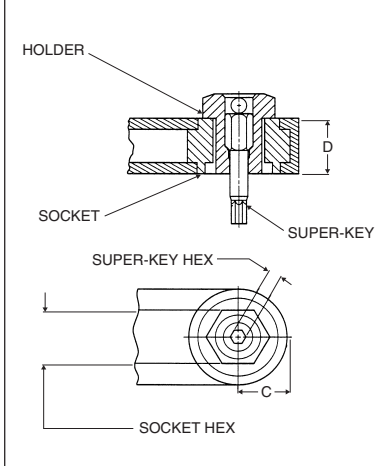
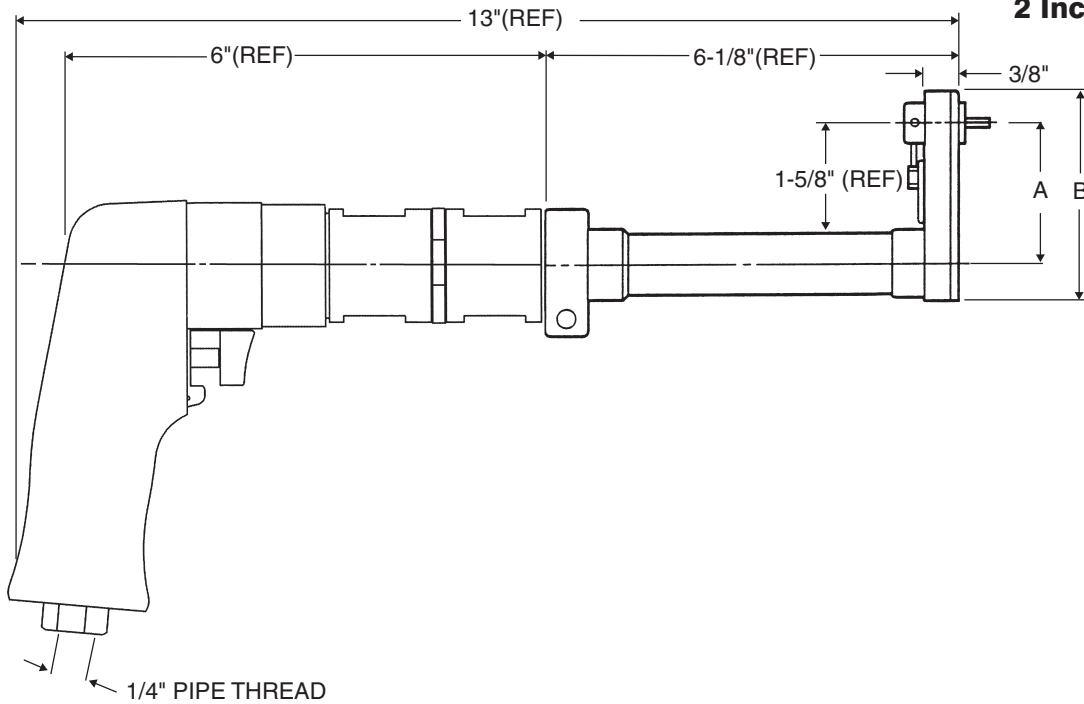


# INSTALLATION TOOLING SUPER HLA1079

**2 Inch Offset Driver Assembly  
with Thin Flush Socket  
and Super-Key™ (T-Series)**



### TECHNICAL DATA

Operating Pressure .....	90 PSIA	Horsepower Rating .....	0.70
<b>MAX. TORQUE RATING</b> .....	<b>300 in. lb</b>	Air Consumption .....	22 SCFM
(Motor)	@ 90 PSIA	Weight .....	3.8 lb
Socket Speed .....	250 RPM		

**TABLE 1**

COLLAR DRIVING HEX (Matches Socket Hex)	PIN RECESS HEX (Matches Super-Key Hex)	COMPLETE DRIVER ASSY.	OFFSET ADAPTOR & SOCKET ASSY.
3/16	1/16	HLA1079-187-062T	HLG148-187-062T
7/32		HLA1079-218-062T	HLG148-218-062T
1/4		HLA1079-250-062T	HLG148-250-062T
9/32		HLA1079-281-062T	HLG148-281-062T
5/16		HLA1079-312-062T	HLG148-312-062T
11/32		HLA1079-343-062T	HLG148-343-062T
7/32	5/64	HLA1079-218-078T	HLG148-218-078T
1/4		HLA1079-250-078T	HLG148-250-078T
9/32		HLA1079-281-078T	HLG148-281-078T
5/16		HLA1079-312-078T	HLG148-312-078T
11/32		HLA1079-343-078T	HLG148-343-078T
3/8		HLA1079-375-078T	HLG148-375-078T
5/16	3/32	HLA1079-312-094T	HLG148-312-094T
11/32		HLA1079-343-094T	HLG148-343-094T
3/8		HLA1079-375-094T	HLG148-375-094T
7/16		HLA1079-437-094T	HLG148-437-094T
3/8		HLA1079-375-125T	HLG148-375-125T
7/16		HLA1079-437-125T	HLG148-437-125T

DRIVER BASIC PART NO.  
SOCKET HEX REF. TABLE 1  
SUPER-KEY HEX REF. TABLE 1  
SUPER-KEY (T-SERIES)

**HLA1079-312-078-T**

Example: complete driver assy. part no.

### ORDERING INFORMATION

1. Match pin and collar hexes with Super-Key Hex and Socket Hex.
2. See table 1 for corresponding complete driver assy part no.

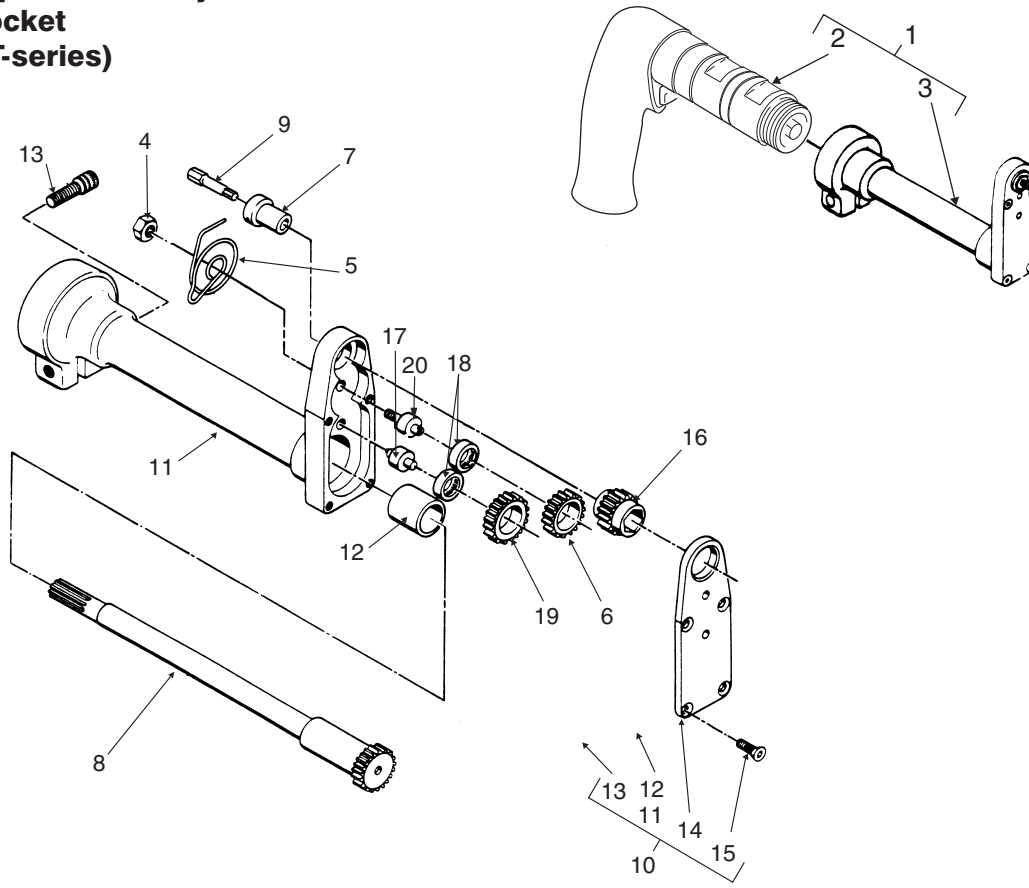
COLLAR Hex Size	A C to C	B OVERALL	C EDGE DISTANCE	D WIDTH
up to 3/8	2.210	3.175	0.431	0.375
7/16 and up	2.250	3.254	0.470	0.375

**SUPER HLA1079**  
**2" OFFSET DRIVER ASSEMBLY with Thin Flush Socket & Super-Key™ (T-series)**



# HLG148

## 2 Inch Offset Adaptor Assembly with Thin Flush Socket and Super-key™ (T-series)



ITEM	PART NO.	DESCRIPTION	QTY	TABLE 2	
1	HLA1079-( )-( )T	Tool assy., complete	1	<b>SOCKET</b> HEX SIZE (Matches Collar Driving Hex)      PART NO. 3/16      HLB1348-187 7/32      HLB1348-218 1/4      HLB1348-250 9/32      HLB1348-281 5/16      HLB1348-312 11/32      HLB1348-343 3/8      HLB1348-375 7/16      HLB1348-437	
2	HLB1174-005	. Air motor assy.	1		
3	HLG148-( )-( )T	. Offset adaptor and socket assy.	1		
4	AN364-632C	.. Nut, hex	1		
5	HLB1475-5	.. Spring, ejector	1		
6	HLB106-11	.. Gear, no. 1 intermediate	1		
7	HLB138-( )-( )	.. Holder	1		
8	HLB103-5	.. Gear, drive	1		
9	HLT140K-( )	.. Super-Key (see Table 3)	1		
10	HLB209-7 (-9 for .437 socket size)	.. Housing assy., complete	1		
11	HLB210-7 (-9 for .437 socket size)	... Housing assy.	1		
12	B810-5	... Bushing (Boston Gear)	1		
13	1/4-28 x 5/8 lg.	... Cap screw, socket head	1		
14	6-32 x 5/16 lg.	... Screw, countersunk - 82°	4		
15	HLB224 (HLB225 for .437 size)	... Plate, cover	1		
16	HLB1348-( )	.. Socket (see Table 2)	1		
17	HLB226	.. Shaft, no. 1 intermediate	1		
18	B34	.. Bearing (Torrington)	2		
19	HLB106-11	.. Gear, no. 2 intermediate	1		
20	HLB208-3	.. Shaft, no. 2 intermediate	1		

**HS TOOLING**

14083 S. Normandie Ave, Gardena CA 90249 USA  
800.482.4167 • fax 310.464.8545

**HLG148**

**2 INCH OFFSET ADAPTOR ASSEMBLY with Thin Flush Socket & Super-Key™ (T-series)**