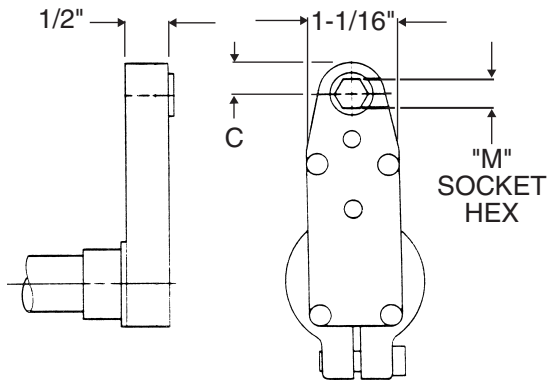
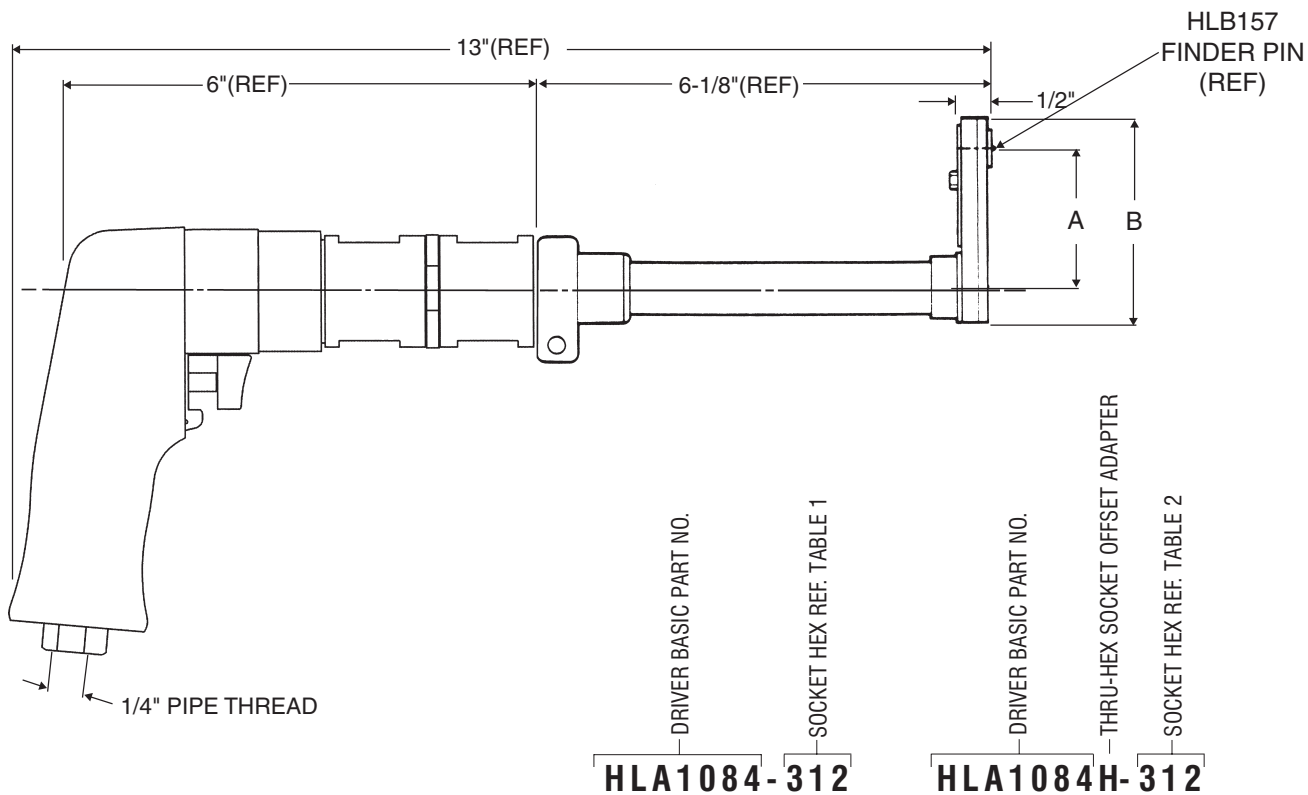


# INSTALLATION TOOLING SUPER HLA1084

2 Inch Offset Driver Assembly  
with Interference Fit Flush Socket



HLG125H OFFSET ADAPTER ASSY WITH THRU-HEX SOCKET, LESS FINDER PIN AND LEAF SPRING



### ORDERING INFORMATION

1. Match pin and collar hexes with Super-Key Hex and Socket Hex.
2. See tables 1 & 2 for corresponding complete driver assy part no.

### TECHNICAL DATA

Operating Pressure .....	90 PSIA	Horsepower Rating .....	0.70
<b>MAX. TORQUE RATING</b> .....	300 in. lb	Air Consumption .....	22 SCFM
(Motor)	@90 PSIA	Weight.....	3.8 lb
Socket Speed .....	250 RPM		

TABLE 1

TABLE 2

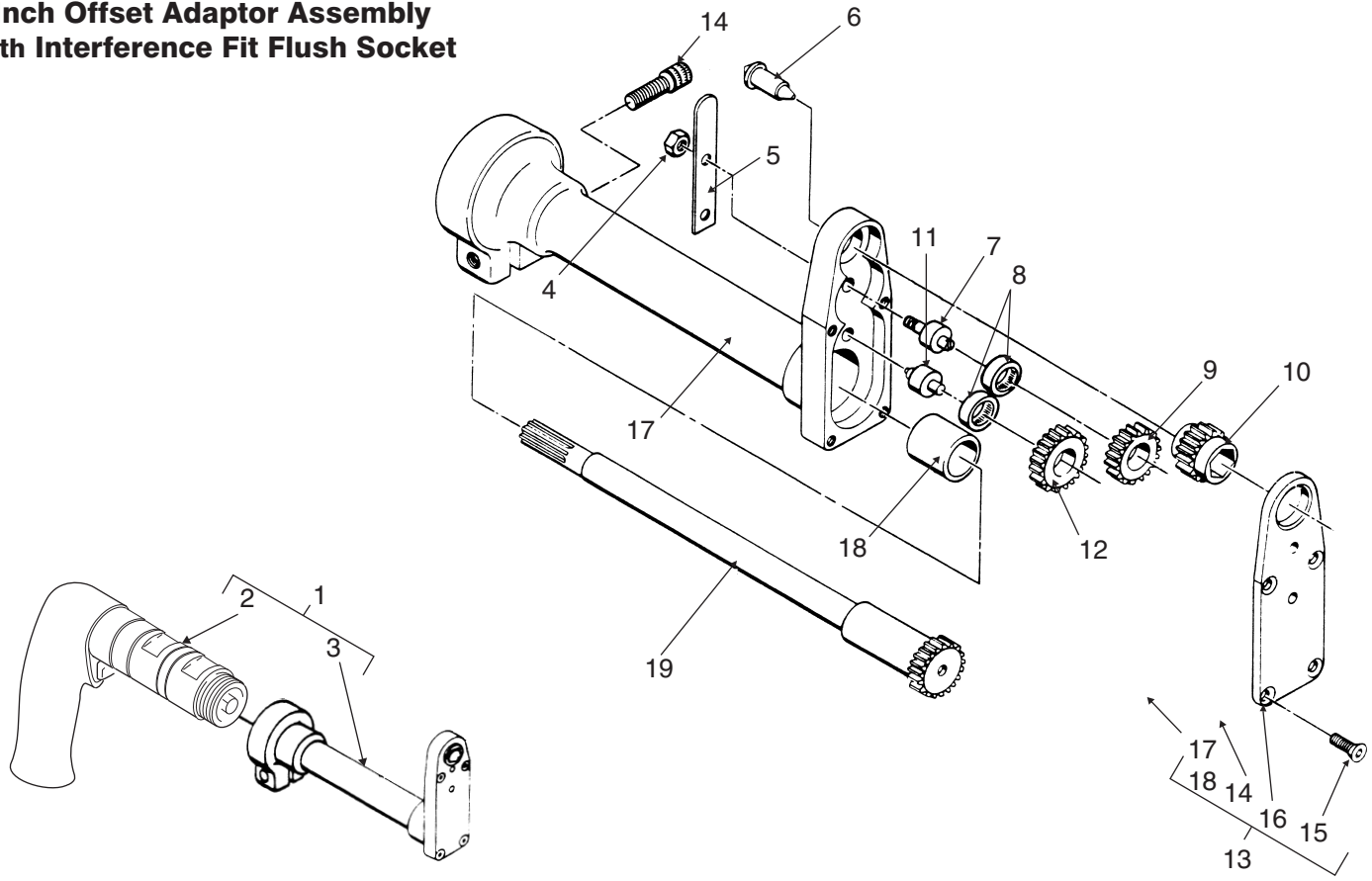
SOCKET SIZE	A C to C	B OVERALL	C EDGE DISTANCE	D WIDTH	"M" SOCKET HEX	COMPLETE TOOL ASSY.	OFFSET ADAPTOR ASSY.	FINDER PIN	"M" SOCKET HEX	COMPLETE TOOL ASSY.	OFFSET ADAPTOR ASSY.
					(Matches Collar Driving Hex)	PART NO.	PART NO. (REF)	PART NO.	(Matches Collar Driving Hex)	PART NO.	PART NO. (REF)
up to 3/8	2.210	3.182	0.431	0.500	1/4	HLA1084-250	HLG125-250	HLB157-250	1/4	HLA1084H-250	HLG125H-250
7/16 and up	2.250	3.283	0.500	0.500	5/16	HLA1084-312	HLG125-312	HLB157-312	5/16	HLA1084H-312	HLG125H-312
					11/32	HLA1084-343	HLG125-343	HLB157-343	11/32	HLA1084H-343	HLG125H-343
					7/16	HLA1084-437	HLG125-437	HLB157-437	7/16	HLA1084H-437	HLG125H-437

**SUPER HLA1084**  
2 INCH OFFSET DRIVER ASSEMBLY w/ Interference Fit Flush Socket



# HLG125

## 2 Inch Offset Adaptor Assembly With Interference Fit Flush Socket



**TABLE 3**

SOCKET GEAR	
HEX SIZE (Matches Collar Driving Hex)	PART NO.
1/4	HLB167-250
5/16	HLB167-312
11/32	HLB167-343
7/16	HLB167-437

**TABLE 4**

SOCKET GEAR	
HEX SIZE (Matches Collar Driving Hex)	PART NO.
1/4	HLB167H-250
5/16	HLB167H-312
11/32	HLB167H-343
7/16	HLB167H-437

ITEM	PART NO.	DESCRIPTION	QTY	PART NO.	QTY
1	HLA1084-( )	Tool assy., complete	1	HLA1084H-( )	1
2	HLB1174-005	. Air motor assy.	1	HLB1174-005	1
3	HLG125-( )	. Offset adaptor assy.	1	HLG125H-( )	1
4	AN364-632C	.. Nut, hex	1	AN364-632C	1
5	HLB153-8	.. Spring, leaf	1	--	0
6	HLB157-( )	.. Pin, finder	1	--	0
7	HLB105	.. Shaft, intermediate, no. 2	1	HLB105	1
8	B34	.. Bearing (Torrington)	2	B34	2
9	HLB106-11	.. Gear, intermediate, no. 2	1	HLB106-11	1
10	HLB167-( ) Table 3	.. Gear, socket	1	HLB167H-( ) Table 4	1
11	HLB159	.. Shaft, intermediate, no. 1	1	HLB159	1
12	HLB106-11	.. Gear, intermediate, no. 1	1	HLB106-11	1
13	HLB169-9 (-13 for .437 socket)	.. Housing assy., complete	1	HLB169-9 (-13 for .437 socket)	1
14	1/4-28 x 5/8 lg.	... Capscrew, socket head	1	1/4-28 x 5/8 lg.	1
15	6-32 x 3/8 lg.	... Screw, countersunk-82°	4	6-32 x 3/8 lg.	4
16	HLB173 (HLB174 for .437 socket)	... Cover, plate	1	HLB173 (HLB174 for .437 socket)	1
17	HLB168-9 (-13 for .437 socket)	... Housing sub-assy.	1	HLB168-9 (-13 for .437 socket)	1
18	B810-5	... Bushing (Boston Gear)	1	B810-5	1
19	HLB103-5	.. Gear, drive	1	HLB103-5	1

**HS TOOLING**

14083 S. Normandie Ave, Gardena CA 90249 USA  
800.482.4167 • fax 310.464.8545

**HLG125**

**2 INCH OFFSET ADAPTOR ASSEMBLY with Interference Fit Flush Socket**

**3014 rev —**