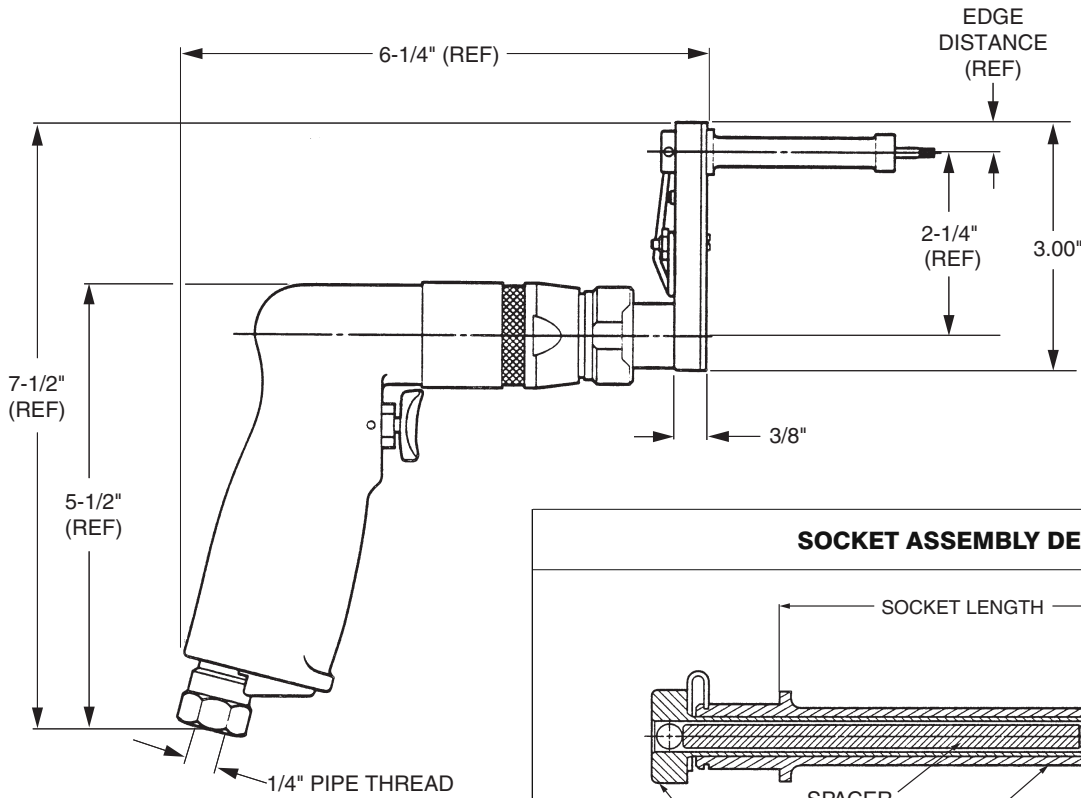


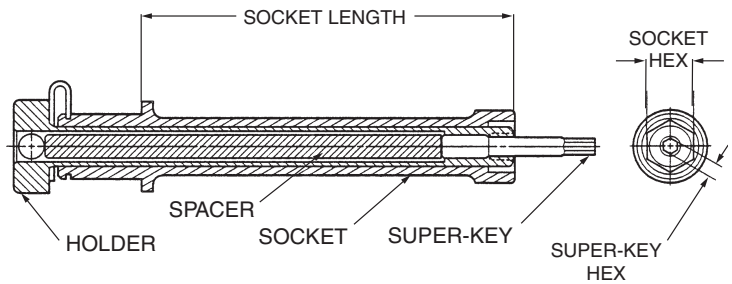
# INSTALLATION TOOLING

## HLA1204

2 Inch Offset Mini Driver Assembly  
with Multi-Length Socket  
and Super-Key™ (T-Series)



### SOCKET ASSEMBLY DETAIL



### TECHNICAL DATA

Operating Pressure.....	90 PSIA	Horsepower Rating.....	0.2
<b>MAX. TORQUE RATING</b> (Motor).....	60 in. lb @90 PSIA	Air Consumption.....	20 CFM
Socket Speed.....	500 RPM	Weight.....	2 lb

**TABLE 1**

COLLAR DRIVING HEX (Matches Socket Hex)	PIN RECESS HEX (Matches Super-Key Hex)	COMPLETE DRIVER ASSY. PART NO.	OFFSET ADAPTOR AND SOCKET ASSY. PART NO.
7/32	1/16	HLA1204-218-062T	HLG327-218( )-062T
7/32	5/64	HLA1204-218-078T	HLG327-218( )-078T
1/4	1/16	HLA1204-250-062T	HLG327-250( )-062T
1/4	5/64	HLA1204-250-078T	HLG327-250( )-078T
9/32	1/16	HLA1204-281-062T	HLG327-281( )-062T
9/32	5/64	HLA1204-281-078T	HLG327-281( )-078T
5/16	1/16	HLA1204-312-062T	HLG327-312( )-062T
5/16	5/64	HLA1204-312-078T	HLG327-312( )-078T
A = 0.50	E = 0.75	HLA1204-312-094T	HLG327-312( )-094T
B = 1.00	F = 1.75	HLA1204-343-062T	HLG327-343( )-062T
C = 1.50	X = 4.00	HLA1204-343-078T	HLG327-343( )-078T
D = 2.00		HLA1204-343-094T	HLG327-343( )-094T

**TABLE 2**

A = 0.50	E = 0.75
B = 1.00	F = 1.75
C = 1.50	X = 4.00
D = 2.00	

DRIVER BASIC PART NO.

SOCKET HEX REF. TABLE 1

SOCKET LENGTH REF. TABLE 2

SUPER-KEY HEX REF. TABLE 1

SUPER-KEY HEX (T-SERIES)

**HLA1204-312 (B)-078-T**

Example: complete driver assy. part no.

### ORDERING INFORMATION

- Match pin and collar hexes with Super-Key Hex and Socket Hex.
- See table 1 for corresponding complete driver assy part no.

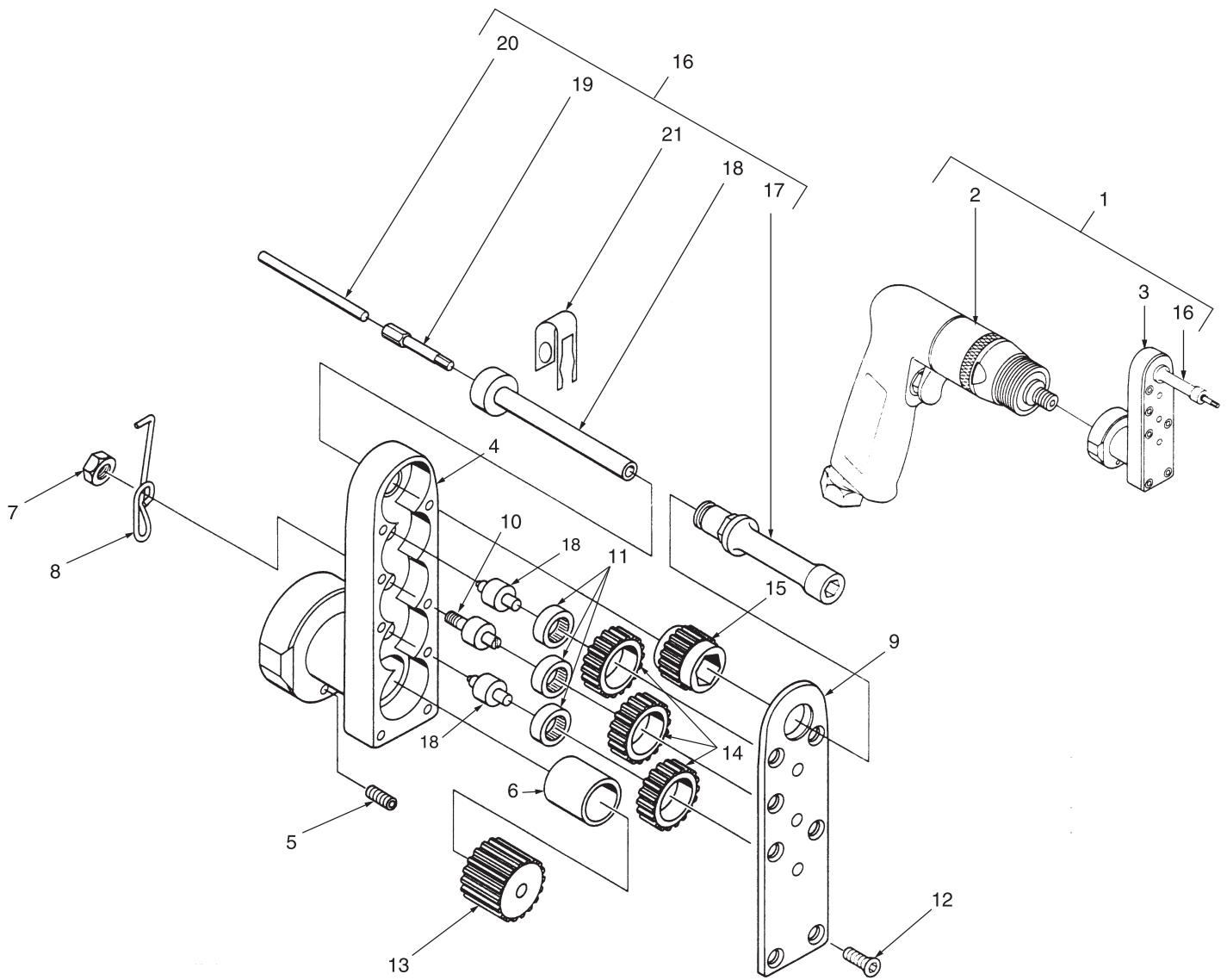
**SUPER HLA1204**  
2 INCH OFFSET MINI DRIVER ASSEMBLY with Multi-Length Socket  
and Super-Key™ (T-Series)



3025 rev A

# HLG327-343

## 2 Inch Offset Mini Driver Assembly with Multi-Length Socket and Super-Key™ (T-Series)



ITEM	PART NO.	DESCRIPTION	QTY	ITEM	PART NO.	DESCRIPTION	QTY
1	HLA1204-( )-( )T	Complete tool assy.	1	12	HLB379	.. Screw, flat head socket	6
2	HLB1575	.. Air motor assy.	1	13	HLB1541	.. Gear, drive	1
3	HLG327-343	.. Offset adaptor & socket assy.	1	14	HLB1544	.. Gear, idler	3
4	HLB1564	.. Housing	1	15	HLB1543-343	.. Gear, socket	1
5	5-40 UNC x .125 lg.	.. Set screw	1	16	HLS32-( )( )-078	.. Socket assy.	1
6	HLB1542	.. Spacer	1	17	HLS71-( )( )	.. Socket, hex	1
7	AN364-632C	.. Nut, hex	1	18	HLB1615-250( )	.. Holder	1
8	HLB1545	.. Spring, ejector	1	19	HLT140K-(078)	.. Super-Key	1
9	HLB1556	.. Cover	1	20	HLB1616-( )	.. Spacer	1
10	HLB208-3	.. Shaft	1	21	HLB1635	.. Ring, lock	1
11	B34	.. Bearing (Torrington)	3				

**HS TOOLING**

14083 S. Normandie Ave, Gardena CA 90249 USA  
800.482.4167 • fax 310.464.8545

**HLG327-343**

**2 Inch Offset Mini Driver Assembly with Multi-Length Socket and Super-Key™ (T-Series)**

**3026 rev B**