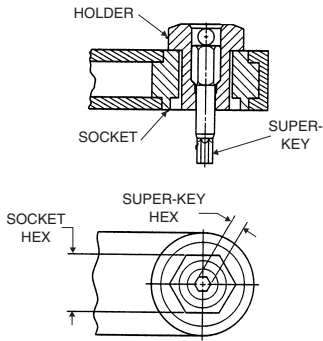


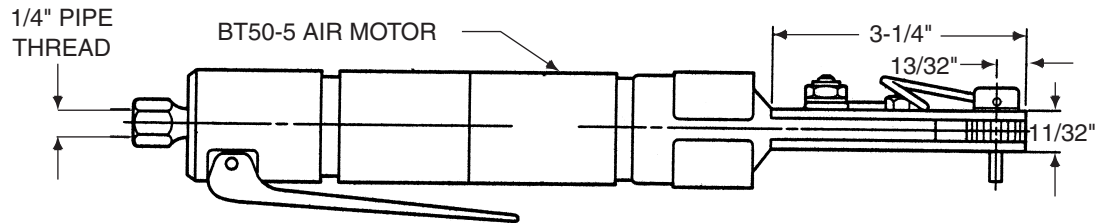
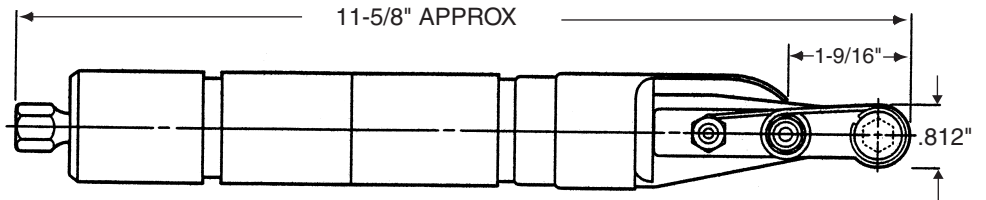
# INSTALLATION TOOLING

## SUPER HLA2006

Straight Ratchet Wrench Driver Assembly  
with Flush Socket  
and Super-Key™ (T-Series)



SOCKET END DETAIL



### TECHNICAL DATA

Operating Pressure .....	90 PSIA	Horsepower Rating .....	0.50
<b>MAX. TORQUE RATING</b> .....	<b>110 in. lb</b>	Air Consumption .....	22 SCFM
(Motor)	@ 90 PSIA	Weight .....	2 lb
Socket Speed .....	250 RPM		

TABLE 1

COLLAR DRIVING HEX (Matches Socket Hex)	PIN RECESS HEX (Matches Super-Key Hex)	COMPLETE DRIVER ASSY. PART NO.	OFFSET ADAPTOR & SOCKET ASSY. PART NO.
3/16	1/16	HLA2006-187-062T	HLR256-187-062T
7/32		HLA2006-218-062T	HLR256-218-062T
1/4		HLA2006-250-062T	HLR256-250-062T
9/32		HLA2006-281-062T	HLR256-281-062T
5/16		HLA2006-312-062T	HLR256-312-062T
11/32		HLA2006-343-062T	HLR256-343-062T
7/32	5/64	HLA2006-218-078T	HLR256-218-078T
1/4		HLA2006-250-078T	HLR256-250-078T
9/32		HLA2006-281-078T	HLR256-281-078T
5/16		HLA2006-312-078T	HLR256-312-078T
11/32		HLA2006-343-078T	HLR256-343-078T
3/8		HLA2006-375-078T	HLR256-375-078T
5/16	3/32	HLA2006-312-094T	HLR256-312-094T
11/32		HLA2006-343-094T	HLR256-343-094T
3/8		HLA2006-375-094T	HLR256-375-094T
7/16		HLA2006-437-094T	HLR256-437-094T

DRIVER BASIC PART NO.

SOCKET HEX REF. TABLE 1

SUPER-KEY HEX REF. TABLE 1

SUPER-KEY (T-SERIES)

**HLA2006-312-078T**

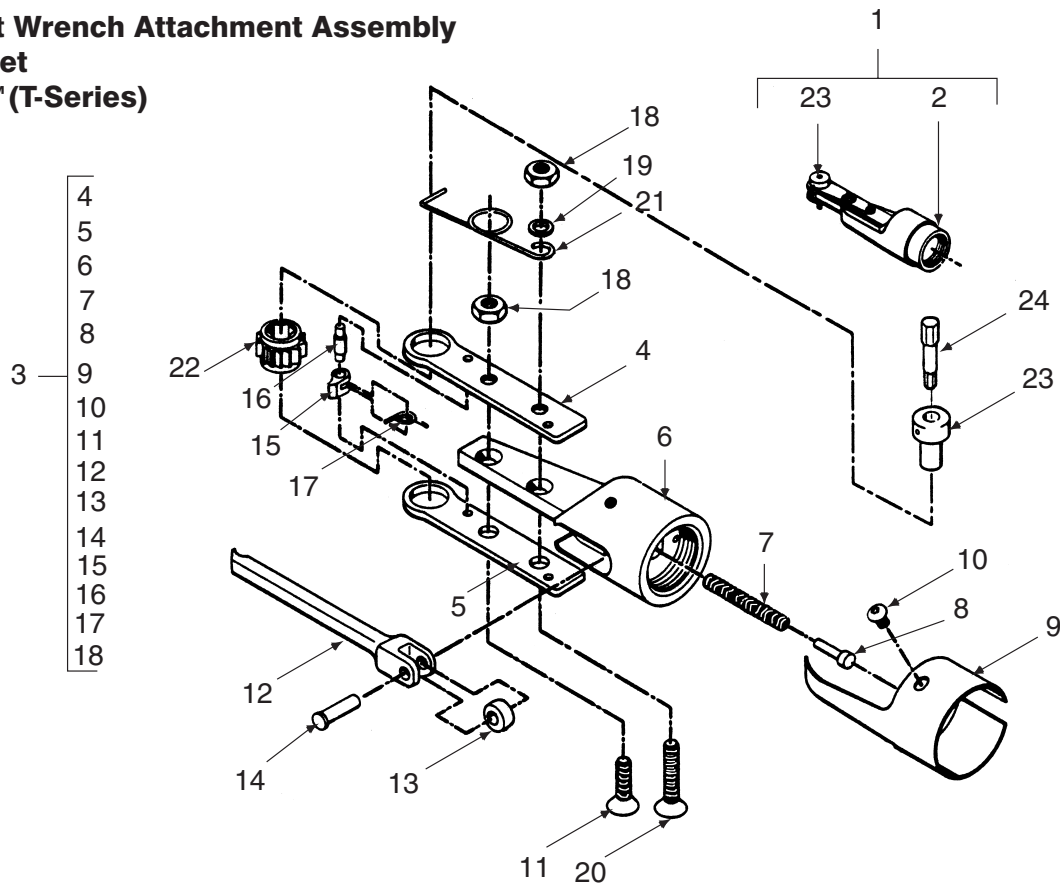
Example: complete driver assy. part no.

### ORDERING INFORMATION

1. Match pin and collar hexes with Super-Key Hex and Socket Hex.
2. See table 1 for corresponding complete driver assy part no.

# HLR256

## Straight Ratchet Wrench Attachment Assembly with Flush Socket and Super-Key™ (T-Series)



**TABLE 2**

**SOCKET**

HEX SIZE (Matches Collar Driving Hex)	PART NO.
3/16	537221
7/32	537223
1/4	28567
9/32	537222
5/16	28558
11/32	28559
3/8	28560
7/16	28561

**TABLE 3**

**SUPER-KEY**

HEX SIZE (Matches Pin Recess Hex)	PART NO.
1/16	HLT140K-062
5/64	HLT140K-078
3/32	HLT140K-094

ITEM	PART NO.	DESCRIPTION	QTY
1	HLR256-( )-( )T	Ratchet wrench attachment assy.	1
2	HLR257-( )	. Ratchet attachment assy.	1
3	AA-9D-6435-13	... Ratchet attachment sub-assy.	1
4	9D-7528	... Sideplate, tapped	1
5	9D-7529	... Sideplate, countersunk	1
6	A-9D-6435	... Housing	1
7	9D-5163	... Spring	1
8	9D-5159	... Pin	1
9	9D-5170	... Cover	1
10	B-134-D	... Screw	2
11	B-124-A	... Screw	1
12	A-9D-6432	... Pushrod	1
13	9D-5162	... Roller	1
14	9D-5164	... Pin	1
15	9D-6431	... Pawl	1
16	9D-6430	... Pin	1
17	9D-5161	... Spring	1
18	C-101-D	... Nut	2
19	AN960-416	.. Washer	1
20	1/4-20 UNC x 5/8 lg.	.. Screw, flat head socket cap	1
21	HLB-1474-3	.. Spring	1
22	Table 2	.. Socket	1
23	HLB138-( )	.. Holder	1
24	HLT140K-( ) Table 3	... Super-Key	1

HS TOOLING

14083 S. Normandie Ave, Gardena CA 90249 USA  
800.482.4167 • fax 310.464.8545

HLR256

Straight Ratchet Wrench Attachment Assy. w/Flush Socket and Super-Key™ (T-Series)

3054 rev —