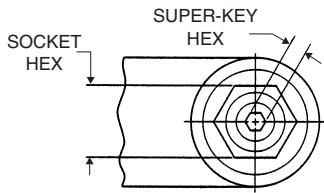
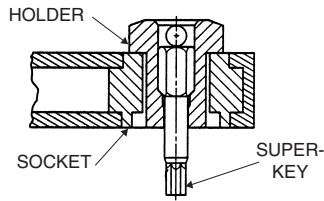


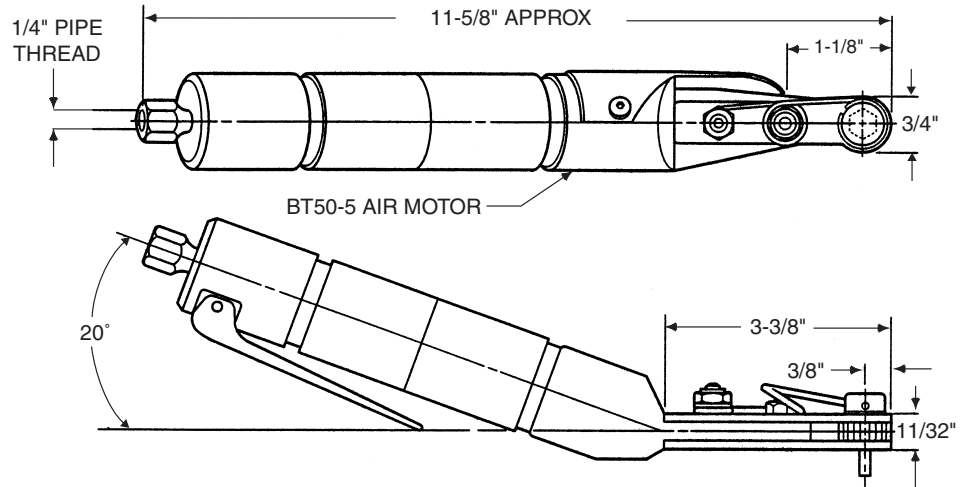
INSTALLATION TOOLING

SUPER HLA2008

20° Offset Ratchet Wrench Driver Assembly
with Flush Socket
and Super-Key™ (T-Series)



SOCKET END DETAIL



TECHNICAL DATA

Operating Pressure	90 PSIA	Horsepower Rating	0.50
MAX. TORQUE RATING	110 in. lb	Air Consumption	22 SCFM
(Motor)	@ 90 PSIA	Weight	2 lb
Socket Speed	250 RPM		

TABLE 1

COLLAR DRIVING HEX (Matches Socket Hex)	PIN RECESS HEX (Matches Super-Key Hex)	COMPLETE DRIVER ASSY. PART NO.	OFFSET ADAPTOR & SOCKET ASSY. PART NO.
3/16	1/16	HLA2008-187-062T	HLR255-187-062T
7/32		HLA2008-218-062T	HLR255-218-062T
1/4		HLA2008-250-062T	HLR255-250-062T
9/32		HLA2008-281-062T	HLR255-281-062T
5/16		HLA2008-312-062T	HLR255-312-062T
11/32		HLA2008-343-062T	HLR255-343-062T
7/32	5/64	HLA2008-218-078T	HLR255-218-078T
1/4		HLA2008-250-078T	HLR255-250-078T
9/32		HLA2008-281-078T	HLR255-281-078T
5/16		HLA2008-312-078T	HLR255-312-078T
11/32		HLA2008-343-078T	HLR255-343-078T
3/8		HLA2008-375-078T	HLR255-375-078T
5/16	3/32	HLA2008-312-094T	HLR255-312-094T
11/32		HLA2008-343-094T	HLR255-343-094T
3/8		HLA2008-375-094T	HLR255-375-094T
7/16		HLA2008-437-094T	HLR255-437-094T

DRIVER BASIC PART NO.

SOCKET HEX REF. TABLE 1

SUPER-KEY HEX REF. TABLE 1

SUPER-KEY (T-SERIES)

HLA2008-312-078T

Example: complete driver assy. part no.

ORDERING INFORMATION

1. Match pin and collar hexes with Super-Key Hex and Socket Hex.
2. See table 1 for corresponding complete driver assy part no.

HLR255

20° Offset Ratchet Wrench Attachment Assembly with Flush Socket and Super-Key™ (T-Series)

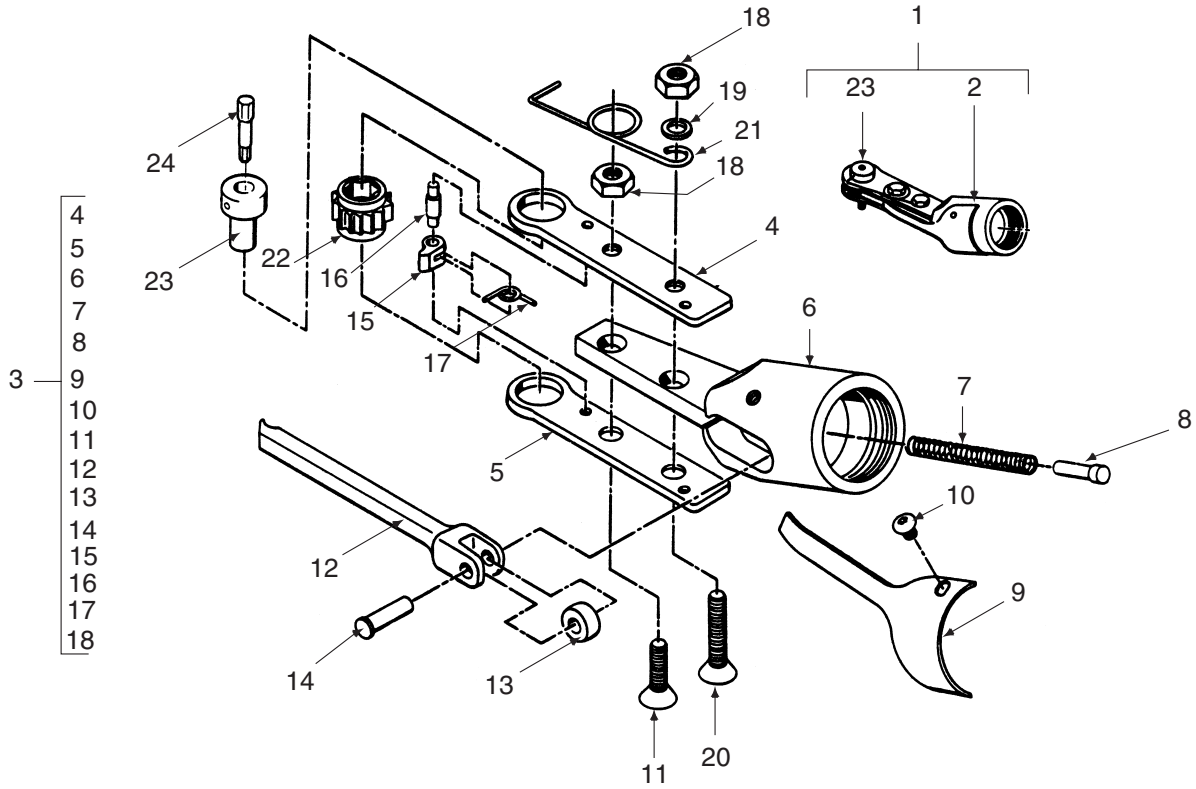


TABLE 2

SOCKET

HEX SIZE (Matches Collar Driving Hex)	PART NO.
3/16	537224
7/32	537225
1/4	28543
9/32	28544
5/16	28545
11/32	28547
3/8	28548
7/16	28550

TABLE 3

SUPER-KEY

HEX SIZE (Matches Pin Recess Hex)	PART NO.
1/16	HLT140K-062
5/64	HLT140K-078
3/32	HLT140K-094

ITEM	PART NO.	DESCRIPTION	QTY
1	HLR255-()-() T	Ratchet wrench attachment assy.	1
2	HLR258-()	. Ratchet attachment assy.	1
3	502914	.. Ratchet attachment sub-assy.	1
4	9D-6433	... Sideplate, tapped	1
5	9D-6434	... Sideplate, countersunk	1
6	502915	... Housing	1
7	9D-5163	... Spring	1
8	9D-5159	... Pin	1
9	15680	... Cover	1
10	B-117-J	... Screw	2
11	B-124-A	... Screw	1
12	A-9D-6432	... Pushrod	1
13	9D-5162	... Roller	1
14	9D-5164	... Pin	1
15	9D-6431	... Pawl	1
16	9D-6430	... Pin	1
17	9D-5161	... Spring	1
18	C-101-D	... Nut	2
19	AN960-416	.. Washer	1
20	1/4-20 UNC x 3/4 lg.	.. Screw, flat head socket cap	1
21	HLB-1474-3	.. Spring	1
22	Table 2	.. Socket	1
23	HLB138-()	.. Holder	1
24	HLT140K-() Table 3	.. Super-Key	1

HS TOOLING

14083 S. Normandie Ave, Gardena CA 90249 USA
800.482.4167 • fax 310.464.8545

HLR255

20° Offset Ratchet Wrench Attachment Assy w/Flush Socket and Super-Key™ (T-Series)

3056 rev —