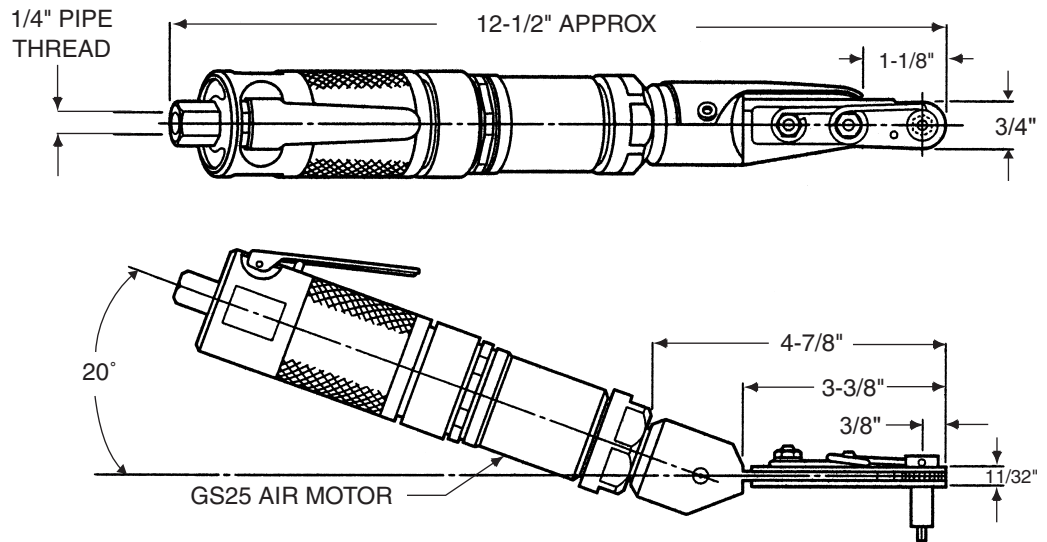
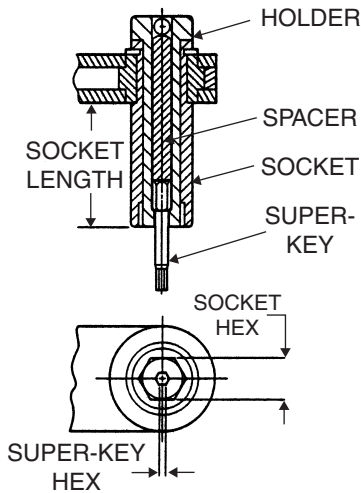


INSTALLATION TOOLING SUPER HLA2075

Medium 20° Offset Ratchet Wrench Driver Assembly
with Multi-length Socket and Super-Key™ (T-Series)



TECHNICAL DATA

Operating Pressure	90 PSIA	Horsepower Rating	0.50
MAX. TORQUE RATING	220 in. lb (Motor) @ 90 PSIA	Air Consumption	22 SCFM
Socket Speed	250 RPM	Weight.....	2 lb

TABLE 1

COLLAR DRIVING HEX (Matches Socket Hex)	PIN RECESS HEX (Matches Super-Key Hex)	COMPLETE DRIVER ASSY. PART NO.	OFFSET ADAPTOR & SOCKET ASSY. PART NO.	EXTENDED SOCKET ASSY. PART NO.
3/16	1/16	HLA2075-187()-062T	HLR206-187()-062T	HLS78-187()-062T
7/32		HLA2075-218()-062T	HLR206-218()-062T	HLS78-218()-062T
1/4		HLA2075-250()-062T	HLR206-250()-062T	HLS78-250()-062T
9/32		HLA2075-281()-062T	HLR206-281()-062T	HLS78-281()-062T
5/16		HLA2075-312()-062T	HLR206-312()-062T	HLS78-312()-062T
11/32		HLA2075-343()-062T	HLR206-343()-062T	HLS78-343()-062T
7/32	5/64	HLA2075-218()-078T	HLR206-218()-078T	HLS78-218()-078T
1/4		HLA2075-250()-078T	HLR206-250()-078T	HLS78-250()-078T
9/32		HLA2075-281()-078T	HLR206-281()-078T	HLS78-281()-078T
5/16		HLA2075-312()-078T	HLR206-312()-078T	HLS78-312()-078T
11/32		HLA2075-343()-078T	HLR206-343()-078T	HLS78-343()-078T
3/8		HLA2075-375()-078T	HLR206-375()-078T	HLS78-375()-078T
5/16	3/32	HLA2075-312()-094T	HLR206-312()-094T	HLS78-312()-094T
11/32		HLA2075-343()-094T	HLR206-343()-094T	HLS78-343()-094T
3/8		HLA2075-375()-094T	HLR206-375()-094T	HLS78-375()-094T
7/16		HLA2075-437()-094T	HLR206-437()-094T	HLS78-437()-094T
1/2		HLA2075-500()-094T	HLR206-500()-094T	HLS78-500()-094T
3/8		1/8	HLA2075-375()-125T	HLR206-375()-125T
7/16	HLA2075-437()-125T		HLR206-437()-125T	HLS78-437()-125T
1/2	HLA2075-500()-125T		HLR206-500()-125T	HLS78-500()-125T

TABLE 2

A = 0.50	E = 0.75	1/2
B = 1.00	F = 1.75	3/8
C = 1.50	X = 4.00	7/16
D = 2.00		1/2

DRIVER BASIC PART NO.

SOCKET HEX REF. TABLE 1

SOCKET LENGTH (REF TABLE 2)

SUPER-KEY HEX REF. TABLE 1.

SUPER-KEY (T-SERIES)

HLA2075-312 (A)-078T

Example: complete driver assy. part no.

ORDERING INFORMATION

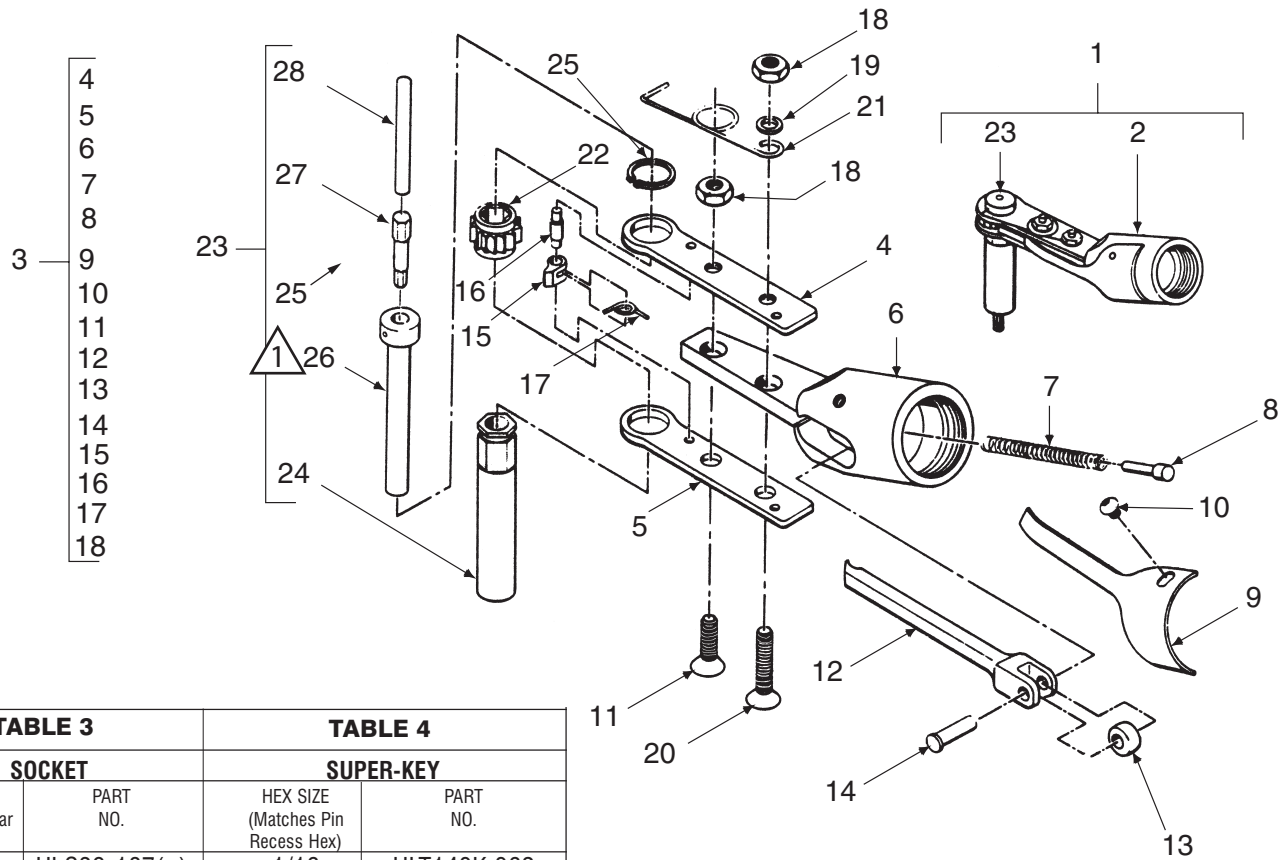
- Match pin and collar hexes with Super-Key Hex and Socket Hex.
- See table 1 for corresponding complete driver assy part no.

**SUPER HLA2075
MEDIUM 20° OFFSET RACHET WRENCH DRIVER ASSY w/Multi-Length Socket
& Super-Key™ (T-Series)**



HLR206

Medium 20° Offset Ratchet Wrench Attachment Assembly with Multi-Length Socket and Super-Key™ (T-Series)



1 NOTE: SPECIFY SUPER KEY SIZE
WHEN ORDERING 125.
EXAMPLE: HLB1677-500-B-125

TABLE 3

SOCKET

TABLE 4

SUPER-KEY

HEX SIZE (Matches Collar Driving Hex)	PART NO.	HEX SIZE (Matches Pin Recess Hex)	PART NO.
3/16	HLS39-187()	1/16	HLT140K-062
7/32	HLS39-218()	5/64	HLT140K-078
1/4	HLS39-250()	3/32	HLT140K-094
9/32	HLS39-281()	1/8	HLT140K-125
5/16	HLS39-312()		
11/32	HLS39-343()		
3/8	HLS39-375()		
7/16	HLS39-437()		
1/2	HLS39-500()		

ITEM	PART NO.	DESCRIPTION	QTY	ITEM	PART NO.	DESCRIPTION	QTY
1	HLR206-() ()-() T	Ratchet wrench attachment assy.	1	15	9D-6431	... Pawl	1
2	HLR206-()	. Ratchet attachment assy.	1	16	9D-6430	... Pin	1
3	502914	... Ratchet attachment sub-assy.	1	17	9D-5161	... Spring	1
4	9D-6433	... Sideplate, tapped	1	18	C-101-D	... Nut	2
5	9D-6434	... Sideplate, countersunk	1	19	AN960-416	.. Washer	1
6	502915	... Housing	1	20	1/4-20 x 1-3/4" lg.	.. Screw, flat head socket cap 82°	1
7	9D-5163	... Spring	1	21	HLB1474-3	.. Spring	1
8	9D-5159	... Pin	1	22	28550	.. Gear, socket	1
9	15680	... Cover	1	23	HLS78-() ()-() T	. Socket assy., extended	1
10	B-117-J	... Screw	1	24	HLS39-() () Table 3	.. Socket	1
11	B-124A	... Screw	1	25	5100-50	.. Retaining ring	1
12	A-9D-6432	... Pushrod	1	26	HLB1677-() ()	.. Holder	1
13	9D-5162	... Roller	1	27	HLT140K-() Table 4	.. Super-Key	1
14	9D-5164	... Pin	1	28	HLB1616-()	.. Spacer	1

HS TOOLING

14083 S. Normandie Ave, Gardena CA 90249 USA
800.482.4167 • fax 310.464.8545

HLR206

MEDIUM 20° OFFSET RATCHET WRENCH ATTACHMENT ASSY w/Multi-Length Socket & Super-Key™ (T-Series)