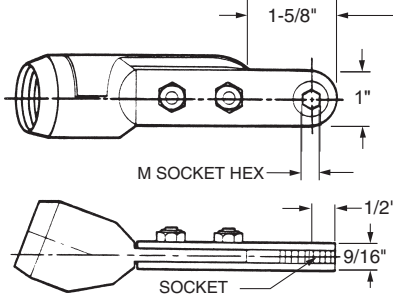


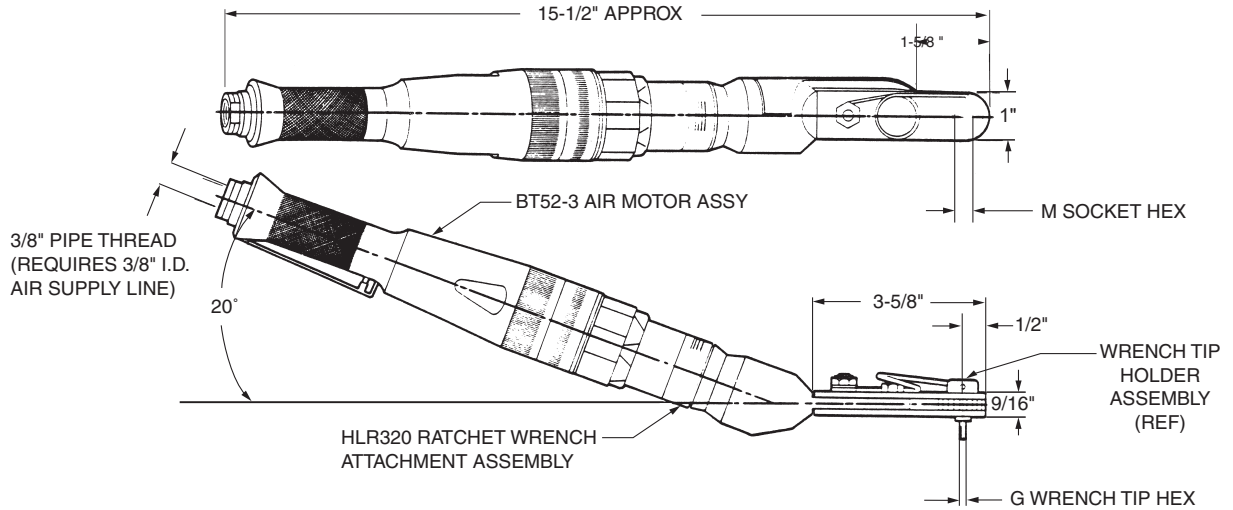
INSTALLATION TOOLING

HLA3020

Large 20° Offset Ratchet Wrench Tool Assembly with Flush Socket



TOOL ASSY. WITH THRU-HEX SOCKET, LESS WRENCH TIP HOLDER ASSY.



DRIVER BASIC PART NO.

SOCKET HEX REF. TABLE 1 OR 2

G WRENCH TIP HEX REF. TABLE 1 OR 2.

HLA 3020 - 437- 156T

Example 1: complete driver assy. part no.

ORDERING INFORMATION

1. Determine collar driving hex dimensions of the fasteners to be installed.
2. See table 1 for "M" socket hex to match collar driving hex dimensions. Determine complete tool assembly part no. See example 1.
3. See table 2 for complete tool assembly part no.s to obtain an Offset Adaptor Assembly featuring a thru-hex socket, less finder pin and leaf spring.
4. See example 2.

TABLE 2

"M" SOCKET HEX (Matches Collar Driving Hex)	COMPLETE TOOL ASSY. PART NO.	RATCHET WRENCH ATTACHMENT ASSY. PART NO. (Ref.)
3/8	HLA3020H-375	HLRA320H-375
7/16	HLA3020H-437	HLRA320H-437
1/2	HLA3020H-500	HLRA320H-500
9/16	HLA3020H-562	HLRA320H-562
5/8	HLA3020H-625	HLRA320H-625

TECHNICAL DATA

Operating Pressure	90 PSIA	Horsepower Rating	0.70
MAX. TORQUE RATING	300 in. lb	Air Consumption	22 SCFM
(Motor)	@ 90 PSIA	Weight	3.8 lb
Socket Speed	250 RPM		

TABLE 1

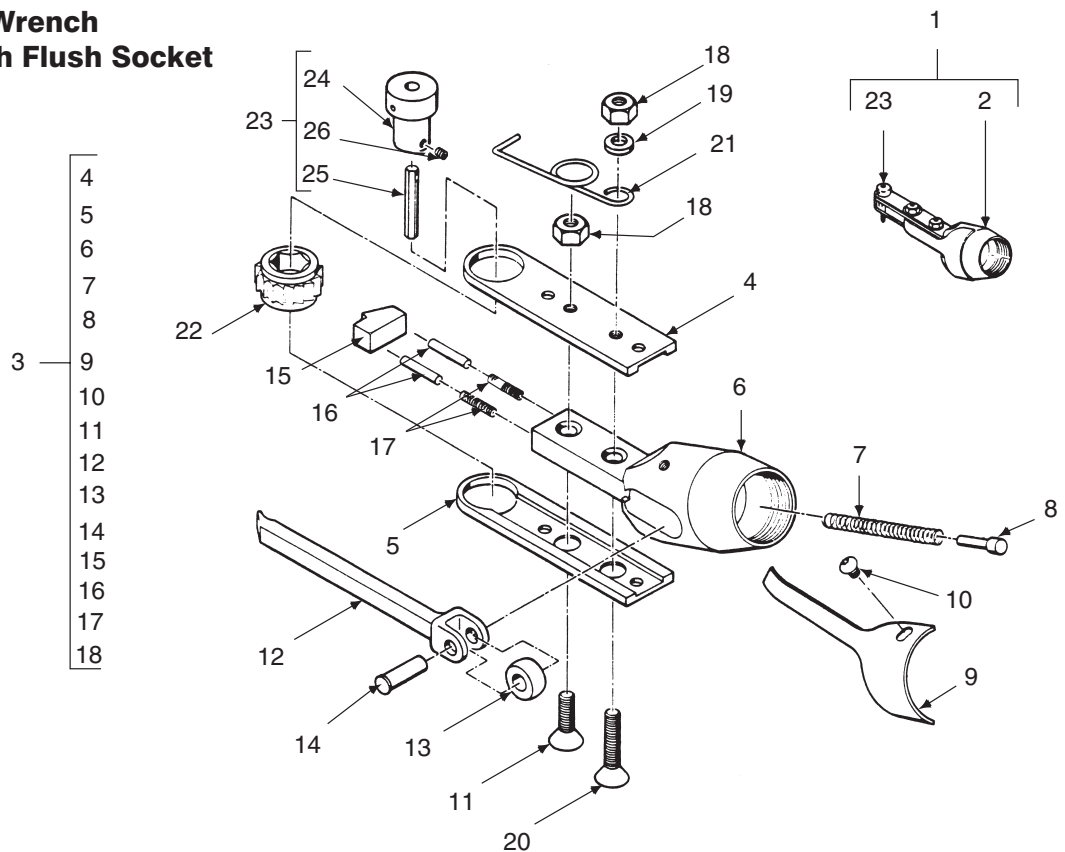
"M" SOCKET HEX (Matches Collar Driving Hex)	"G" WRENCH TIP HEX (Matches Pin Recess Hex)	COMPLETE TOOL ASSY. PART NO.	RATCHET WRENCH ATTACHMENT ASSY. PART NO. (Ref.)
3/8	1/8	HLA3020-375-125T	HLRA320-375-125T
7/16		HLA3020-437-125T	HLRA320-437-125T
1/2		HLA3020-500-125T	HLRA320-500-125T
9/16	5/32	HLA3020-562-125T	HLRA320-562-125T
7/16		HLA3020-437-156T	HLRA320-437-156T
1/2		HLA3020-500-156T	HLRA320-500-156T
9/16		HLA3020-562-156T	HLRA320-562-156T
5/8		HLA3020-625-156T	HLRA320-625-156T

HLA3020
LARGE 20° OFFSET RATCHET WRENCH TOOL ASSY w/Flush Socket



HLRA320

Large 20° Offset Ratchet Wrench Attachment Assembly with Flush Socket



ITEM	PART NO.	DESCRIPTION	QTY	PART NO. FOR ORDERING	QTY
1	HLRA320-()-()T	Ratchet wrench attachment assy.	1	HLRA320-()	1
2	HLR245-()	. Ratchet attachment assy.	1	HLR245-()	1
3	504158	.. Ratchet attachment sub-assy.	1	504158	1
4	9D-6229	... Sideplate, tapped	1	9D-6229	1
5	9D-6230	... Sideplate, countersunk	1	9D-6230	1
6	504138	... Housing	1	504138	1
7	9D-2582	... Spring	1	9D-2582	1
8	9D-5159	... Pin	1	9D-5159	1
9	15680	... Cover	1	15680	1
10	B-134-D	... Screw	2	B-134-D	2
11	B-123-X	... Screw	1	B-123-X	1
12	A-27415	... Pushrod	1	A-27415	1
13	9D-2545	... Roller	1	9D-2545	1
14	9D-2725	... Pin	1	9D-2725	1
15	27278	... Pawl	1	27278	1
16	80G-220	... Pin	2	80G-220	2
17	9D-6089	... Spring	2	9D-6089	2
18	C-101-D	... Nut	2	C-101-D	2
19	AN960-416	.. Washer	1	---	1
20	1/4-20 x 1" lg.	.. Screw, flat head socket cap	1	82° x 1/4-20 x 1" lg.	1
21	HLB-1474-11	.. Spring	1	---	1
22	Table 3	.. Socket	1	See Table 3	1
23	HLW330-()-()	. Holder assy, wrench tip	1	---	1
24	HLB1034-()-()	.. Holder	1	---	1
25	HLT140-() Table 4	.. Wrench tip	1	---	1
26	5-40 x 1/8 lg.	.. Set screw	1	---	1

TABLE 3

SOCKET GEAR

HEX SIZE (Matches Collar Driving Hex)	PART NO.
3/8	28057
7/16	28060
1/2	28063
9/16	28066
5/8	28069

TABLE 4

WRENCH TIP

HEX SIZE (Matches Pin Recess Hex)	PART NO.
1/8	HLT140-125
5/32	HLT140-156

HS TOOLING

14083 S. Normandie Ave, Gardena CA 90249 USA
800.482.4167 • fax 310.464.8545

HLR320

LARGE 20° OFFSET RATCHET WRENCH ATTACHMENT ASSY w/Flush Socket