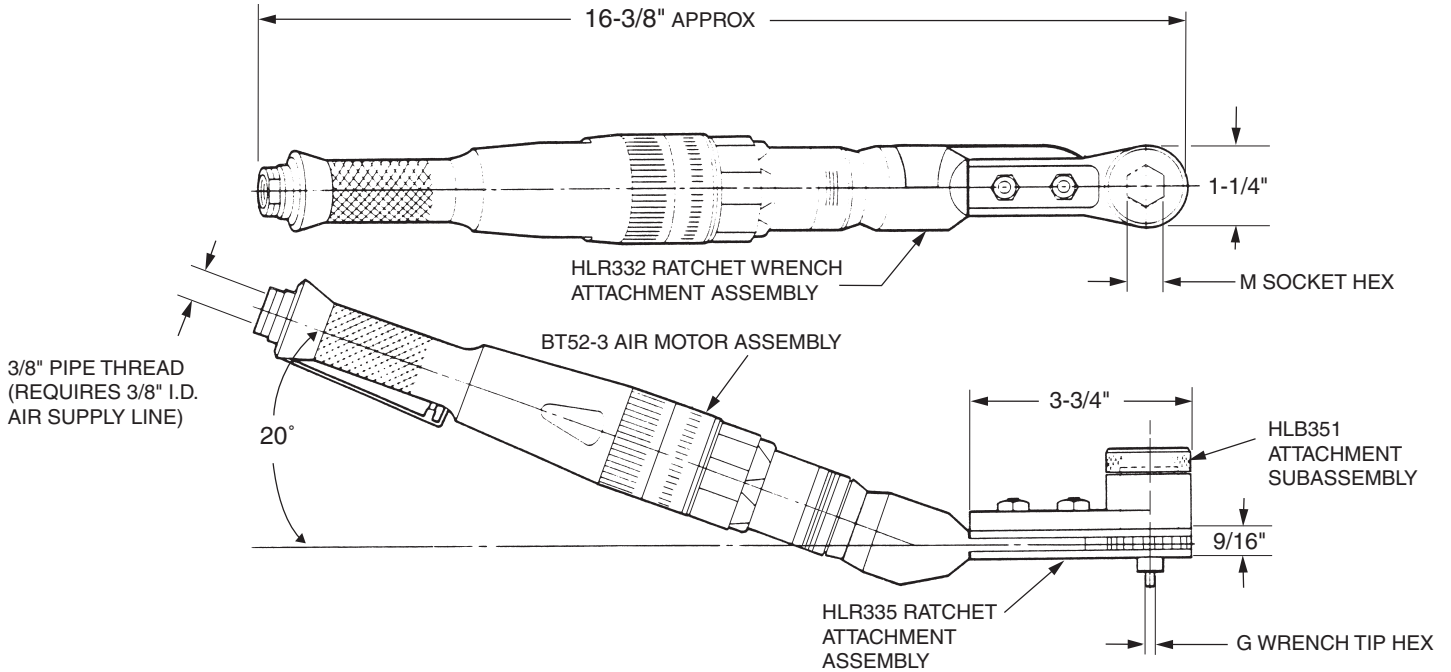


INSTALLATION TOOLING

HLA4020

Large 20° Offset Heavy Duty Ratchet Wrench Tool Assembly with Flush Socket



TECHNICAL DATA

Operating Pressure	90 PSIA	Horsepower Rating	0.65
MAX. TORQUE RATING (Motor)	400 in. lb @ 90 PSIA	Air Consumption	30 CFM
Socket Speed	170 RPM	Weight	4.2 lb

TABLE 1

"M" SOCKET HEX (Matches Socket Hex)	"G" WRENCH HEX (Matches Super-Key Hex)	COMPLETE TOOL ASSY. PART NO.	OFFSET ADAPTOR & SOCKET ASSY. PART NO.	EXTENDED SOCKET ASSY. PART NO. (REF.)	RATCHET ATTACHMENT ASSY. PART NO. (REF.)
7/16	1/8	HLA4020-437-125	HLR332-437-125	HLB351-437-125	HLR335-437
1/2		HLA4020-500-125	HLR332-500-125	HLB351-500-125	HLR335-500
9/16		HLA4020-562-125	HLR332-562-125	HLB351-562-125	HLR335-562
5/8		HLA4020-625-125	HLR332-625-125	HLB351-625-125	HLR335-625
11/16		HLA4020-687-125	HLR332-687-125	HLB351-687-125	HLR335-687
7/16	5/32	HLA4020-437-156	HLR332-437-156	HLB351-437-156	HLR335-437
1/2		HLA4020-500-156	HLR332-500-156	HLB351-500-156	HLR335-500
9/16		HLA4020-562-156	HLR332-562-156	HLB351-562-156	HLR335-562
5/8		HLA4020-625-156	HLR332-625-156	HLB351-625-156	HLR335-625
11/16		HLA4020-687-156	HLR332-687-156	HLB351-687-156	HLR335-687
9/16	3/16	HLA4020-562-187	HLR332-562-187	HLB351-562-187	HLR335-562
3/4		HLA4020-750-187	HLR332-750-187	HLB351-750-187	HLR335-750
11/16	7/32	HLA4020-687-218	HLR332-687-218	HLB351-687-218	HLR335-687

DRIVER BASIC PART NO.

"M" SOCKET HEX REF. TABLE 1

"G" WRENCH TIP HEX REF. TABLE 1.

HLA4020 - 437 - 156

Example: complete driver assy. part no.

ORDERING INFORMATION

- Determine collar driving hex and pin recess hex dimensions of the fasteners to be installed.
- See table 1 for "M" socket hex & "G" wrench tip combo to match collar and pin dimensions. Determine complete tool assembly part no.

HLA4020
LARGE 20° OFFSET HEAVY DUTY
RATCHET WRENCH TOOL ASSEMBLY with Flush Socket



HLR332

Large 20° Offset Heavy Duty Ratchet Wrench Attachment Assembly with Flush Socket

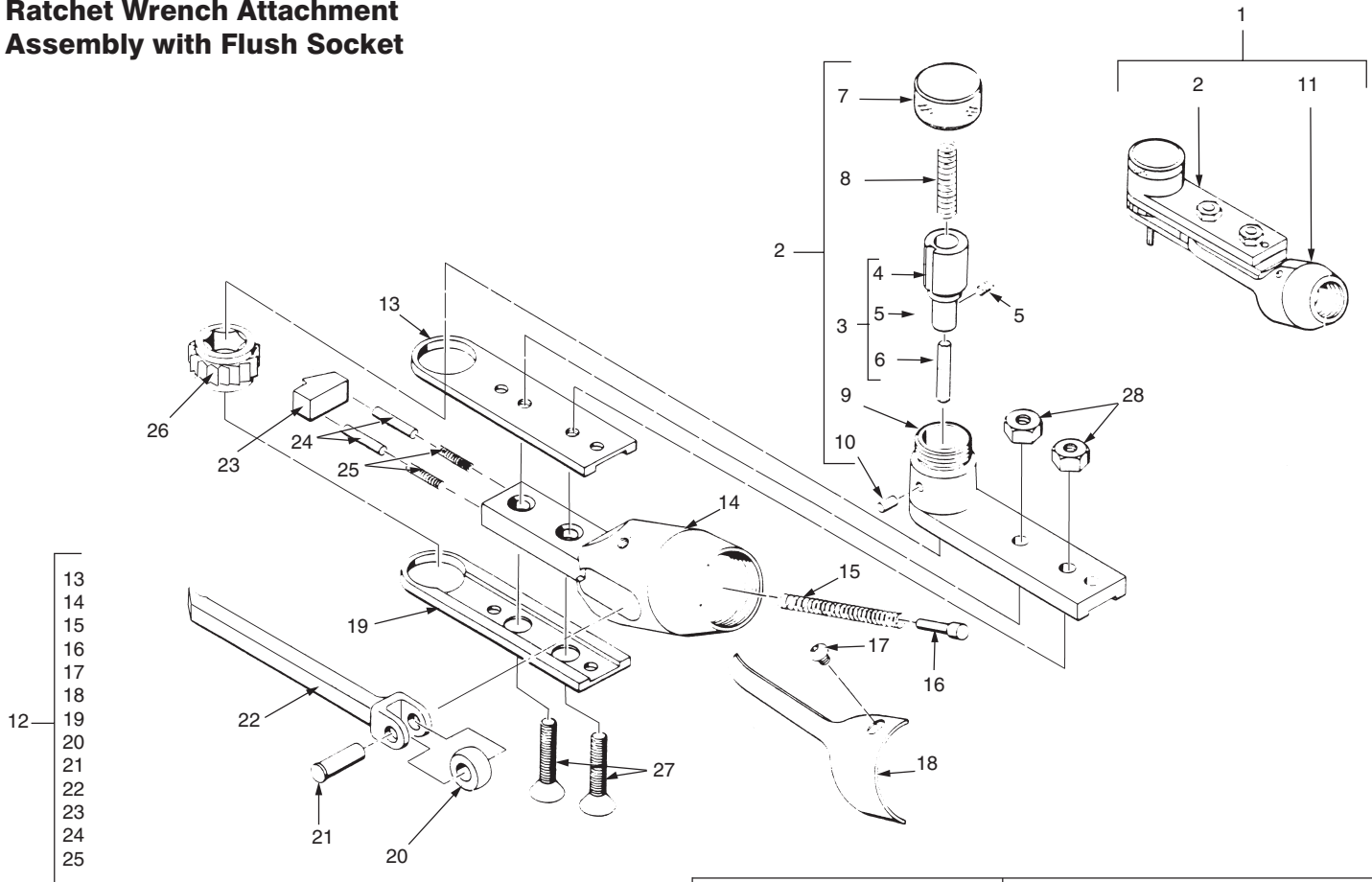


TABLE 2

SOCKET GEAR

HEX SIZE (Matches Collar Driving Hex)	PART NO.
7/16	28105
1/2	28108
9/16	28111
5/8	28115
11/16	28118
3/4	28121

TABLE 3

WRENCH TIP

HEX SIZE (Matches Pin Recess Hex)	PART NO.
1/8	HLT540-125
5/32	HLT540-156
3/16	HLT540-187
7/32	HLT540-218

ITEM	PART NO.	DESCRIPTION	QTY	ITEM	PART NO.	DESCRIPTION	QTY
1	HLR332-()-()	Ratchet wrench attachment assy.	1	15	9D-2582	... Spring	1
2	HLB351-()-()	. Attachment sub-assy.	1	16	9D-5159	... Pin	1
3	HLB36-()-()	.. Holder assy., wrench tip	1	17	B-134-D	... Screw	1
4	HLB384-()-()	... Holder	1	18	15680	... Cover	1
5	8-32 x 3/16 lg.	... Set screw	1	19	9D-6097	... Sideplate, countersunk	1
6	HLT540-() Table 3	... Wrench tip	1	20	9D-2545	... Roller	1
7	HLB2	.. Cap, retainer	1	21	9D-2725	... Pin	1
8	HLB5	.. Spring	1	22	A-27415	... Pushrod	1
9	HLB21	.. Housing	1	23	9D-6036	... Pawl	1
10	59-032-156-0375	.. Pin, roll (ESNA or equiv.)	1	24	80G-220	... Pin	2
11	HLR335-()	. Attachment assy., ratchet	1	25	9D-6089	... Spring	2
12	504160	.. Attachment, ratchet	1	26	Table 2	.. Gear, socket	1
13	9D-6098	... Sideplate, tapped	1	27	1/4-20 x 1.25 lg.	.. Screw, cap, 82°	2
14	504160	... Housing	1	28	1/4-20	.. Nut, jam, hex	2

HS TOOLING

14083 S. Normandie Ave, Gardena CA 90249 USA
800.482.4167 • fax 310.464.8545

HLR332

LARGE 20° OFFSET HEAVY DUTY RATCHET WRENCH ATTACHMENT ASSEMBLY with Flush Socket