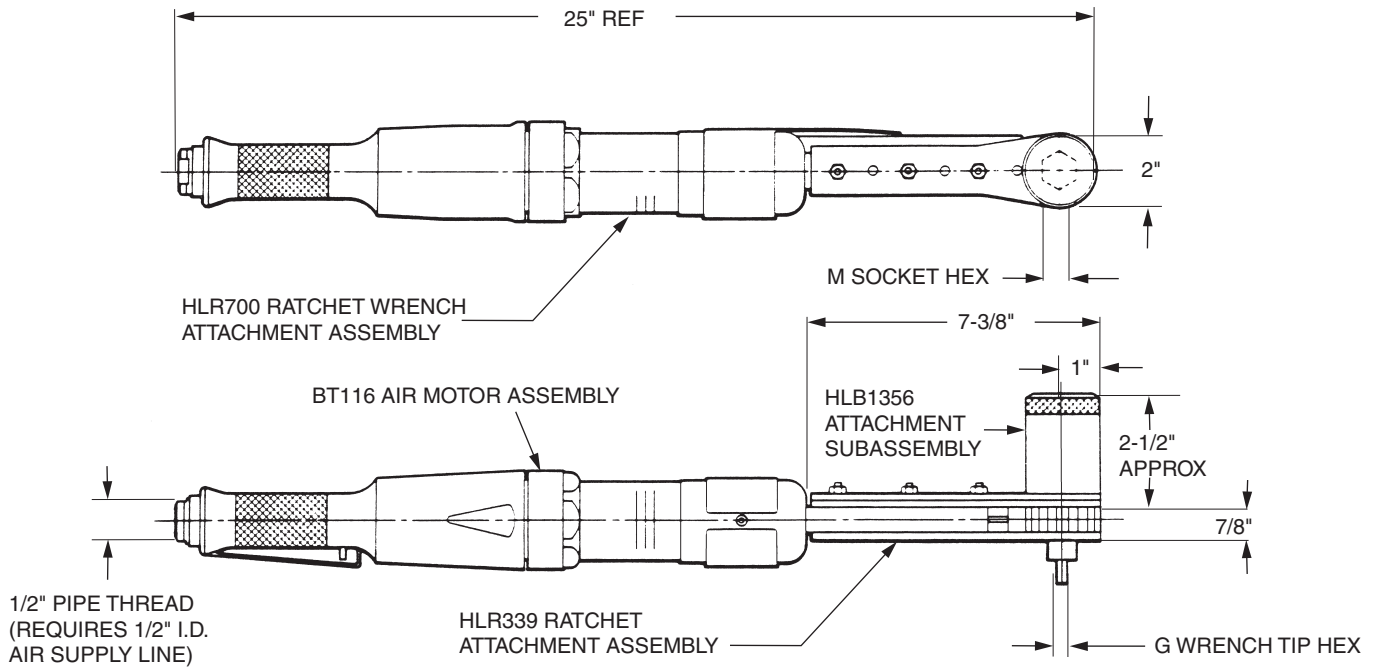


INSTALLATION TOOLING

HLA7000

Large Straight Heavy Duty Ratchet Wrench Tool Assembly with Flush Socket



DRIVER BASIC PART NO.

"M" SOCKET HEX REF: TABLE 1

"G" WRENCH TIP HEX REF: TABLE 1

HLA 7000 - 625 - 156

Example: complete driver assy. part no.

ORDERING INFORMATION

1. Determine collar driving hex and pin recess hex dimensions of the fasteners to be installed.
2. See table 1 for "M" socket hex & "G" wrench tip combo to match collar and pin dimensions. Determine complete tool assembly part no.

TECHNICAL DATA

Operating Pressure	90 PSIA	Horsepower Rating	2.70
MAX. TORQUE RATING	185 ft. lb	Air Consumption	55 CFM
(Motor)	@ 90 PSIA	Weight	15 lb
Socket Speed	75 RPM		

TABLE 1

"M" SOCKET HEX (Matches Collar Driving Hex)	"G" WRENCH TIP HEX (Matches Pin Recess Hex)	COMPLETE TOOL ASSY. PART NO.	RATCHET WRENCH ATTACHMENT ASSY. PART NO. (REF.)	ATTACHMENT SUB-ASSY. PART NO. (REF.)
1/2	5/32	HLA7000-500-156	HLR700-500-156	HLB1356-500-156
5/8		HLA7000-625-156	HLR700-625-156	HLB1356-625-156
3/4	3/16	HLA7000-750-187	HLR700-750-187	HLB1356-750-187
7/8	7/32	HLA7000-875-218	HLR700-875-218	HLB1356-875-218
1	1/4	HLA7000-1000-250	HLR700-1000-250	HLB1356-1000-250
1-1/8	5/16	HLA7000-1125-312	HLR700-1125-312	HLB1356-1125-312

HLA7000
LARGE STRAIGHT HEAVY DUTY
RATCHET WRENCH TOOL ASSEMBLY with Flush Socket



HLR700

Large Straight Heavy Duty Ratchet Wrench Attachment Assembly with Flush Socket

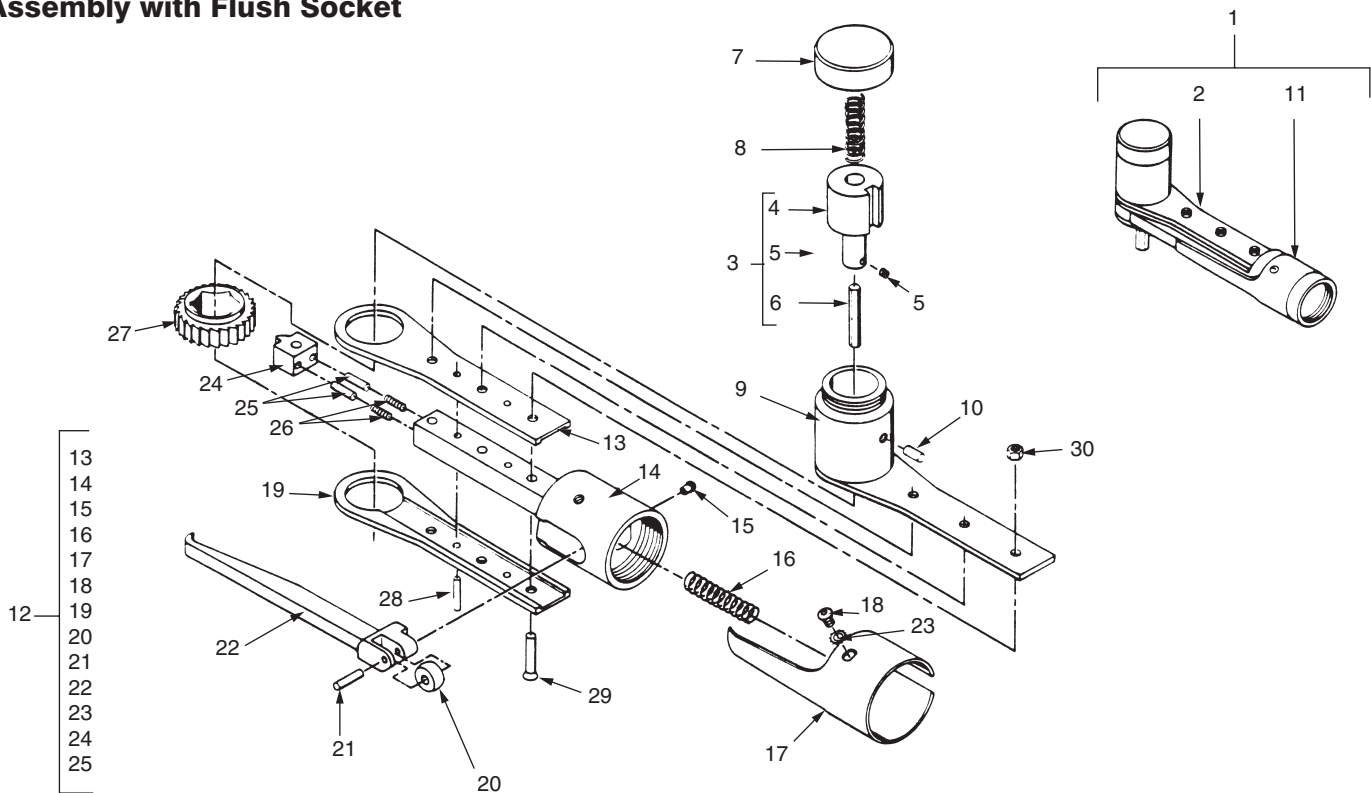


TABLE 2

SOCKET GEAR

TABLE 3

WRENCH TIP

HEX SIZE (Matches Collar Driving Hex)	PART NO.	HEX SIZE (Matches Pin Recess Hex)	PART NO.
1/2	29053	5/32	HLT540-156
5/8	29035	3/16	HLT540-187
3/4	29039	7/32	HLT540-218
7/8	29043	1/4	HLT540-250
1.0	29047	5/16	HLT540-312
1-1/8	29051		

ITEM	PART NO.	DESCRIPTION	QTY	ITEM	PART NO.	DESCRIPTION	QTY
1	HLR700-()-()	Attachment assy, ratchet wrench	1	16	26682	... Spring	1
2	HLB1356-()-()	. Attachment sub-assy.	1	17	26679	... Coverplate	1
3	HLB18-()-()	... Holder assy., wrench tip	1	18	B-108-H	... Screw, coverplate	2
4	HLB291-()-()	... Holder	1	19	27499-32	... Sideplate, countersunk	1
5	1/4-28 x 0.25 lg.	... Set screw	1	20	26672	... Roller	1
6	HLT540-() Table 3	... Tip, wrench	1	21	DP-126	... Pin	1
7	HLB15	.. Cap, retainer	1	22	A-27626	... Pushrod	1
8	HLB16	.. Spring, #24	1	23	W-142	... Washer	2
9	HLB17	.. Housing assy.	1	24	26674	... Pawl	1
10	59-048-219-0562	.. Pin, roll (ESNA or equiv.)	1	25	DP-105	... Pin	2
11	HLR339-()	. Attachment assy., ratchet	1	26	26683	... Spring	2
12	AA-26680-32	... Attachment, ratchet	1	27	Table 2	.. Gear, socket	1
13	277500-32	... Sideplate, tapped	1	28	DP-106	.. Pin	2
14	A-26680	... Housing	1	29	1/4-20 x 1.25 lg.	.. Screw, flathead socket, 82°	3
15	13731	... Fitting, grease	1	30	1/4-20	.. Nut, hex, jam	3

HS TOOLING

14083 S. Normandie Ave, Gardena CA 90249 USA
800.482.4167 • fax 310.464.8545

HLR700

LARGE STRAIGHT HEAVY DUTY

RATCHET WRENCH ATTACHMENT ASSEMBLY with Flush Socket

3084

rev —